

Vime EPH 15000

High Efficiency Drive Train to Assure Fast, Safe Payout

**ASK US ABOUT
OPTIONAL ROLLER
FAIRLEADS,
CABLE TENSIONERS +
SNATCH BLOCKS.**

Common Specifications

Max Pulling Force	
<i>Bottom Rope Layer</i>	15,000 lbs
<i>Top Rope Layer</i>	9,550 lbs
Max Rope Speed	
<i>Bottom Rope Layer</i>	35 ft/min
<i>Top Rope Layer</i>	56 ft/min
Max Oil Pressure	2,465 psi
Max Oil Flow	20 gpm
Rope Drum Diameter	6.4"
Rope Diameter	1/2"
No of Rope Layers	5
Motor Displacement	160 cc

Model Variations

EPH 15000	Drum	Brake	Speed	Rope L / Wt	Winch Wt
EPHC 15000 HB	Compact	Hydraulic	Single	224 ft / 94 lbs	432 lbs
EPHL 15000 HB	Extended	Hydraulic	Single	295 ft / 124 lbs	459 lbs

All models available with pneumatic or manual free spool clutch.



**SUPERIOR DESIGN
+ RELIABILITY FOR
COMMERCIAL TOWING**



@sepson_usa

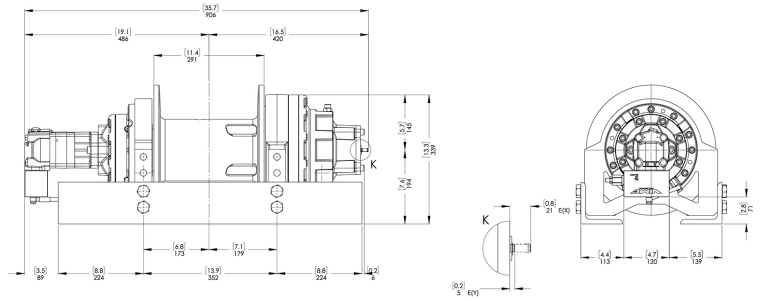
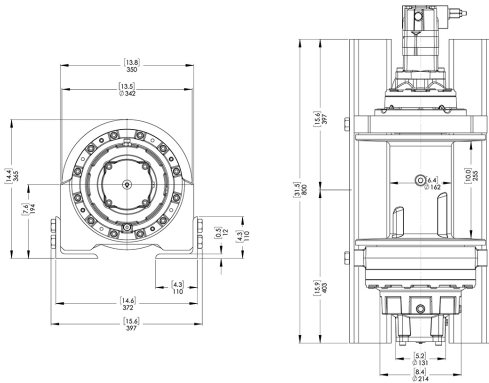
sepson-usa.com

412.212.6769

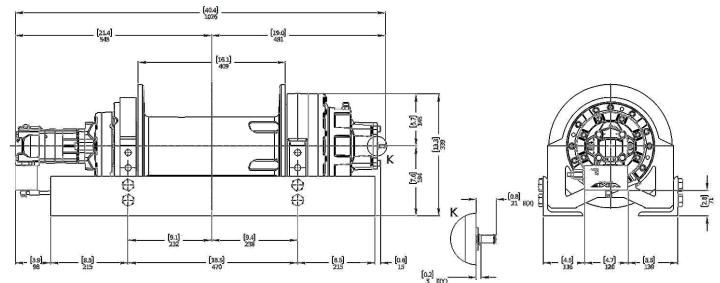
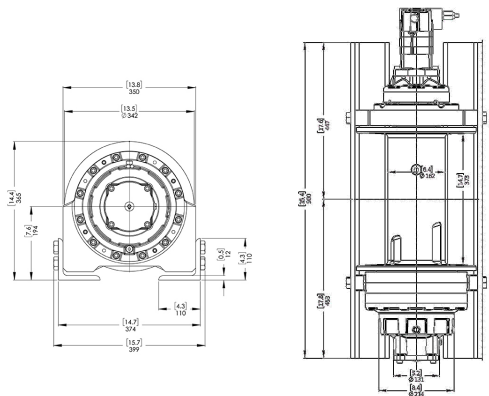
Vime EPH 15000

TECHNICAL DRAWINGS

Compact Drum Model



Extended Drum Model



Compliant to SAE J706

VIME WINCHES

- + Heavy equipment transport
- + Light to medium commercial towing
- + Superior design and reliability for the form factor you are most familiar with

Reliable, dependable, uncomplicated, and safer.

Learn more about how, together, Sepson and Vime Winch Lines offer tow operators more power and more flexibility.