



# Vime EPH 12000

## High Efficiency Drive Train to Assure Fast, Safe Payout

**ASK US ABOUT  
OPTIONAL ROLLER  
FAIRLEADS,  
CABLE TENSIONERS +  
SNATCH BLOCKS.**

**Common Specifications**

Max Pulling Force	
<i>Bottom Rope Layer</i>	12,000 lbs
<i>Top Rope Layer</i>	7,253 lbs
Max Rope Speed	
<i>Bottom Rope Layer</i>	28 ft/min
<i>Top Rope Layer</i>	50 ft/min
Max Oil Pressure	2,176 psi
Max Oil Flow	15.85 gpm
Rope Drum Diameter	4.02"
Rope Diameter	7/16"
No of Rope Layers	5
Motor Displacement	400 cc

**Model Variations**

EPH 12000	Drum	Brake	Speed	Rope L / Wt	Winch Wt
EPH 12000 HB	Standard	Hydraulic	Single	177 ft / 57 lbs	115 lbs
EPH 12000 MB	Standard	Manual	Single	177 ft / 57 lbs	115 lbs

*All models available with pneumatic or manual free spool clutch.*



**SUPERIOR DESIGN  
+ RELIABILITY FOR  
COMMERCIAL TOWING**



@sepson\_usa

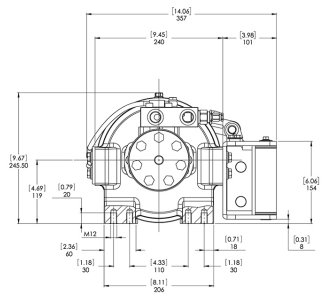
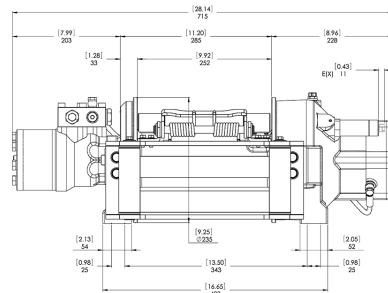
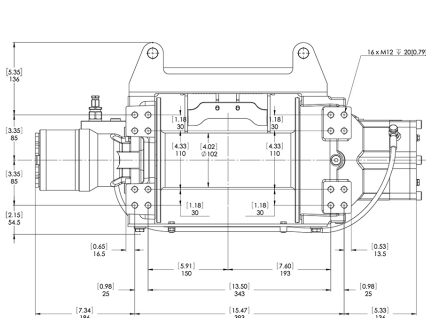
sepson-usa.com

412.212.6769

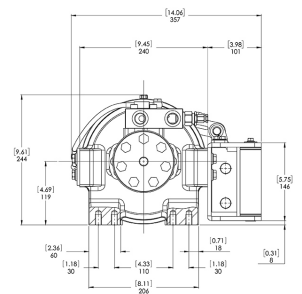
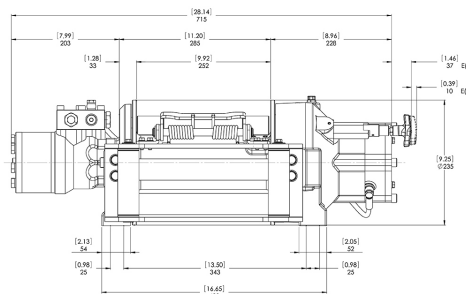
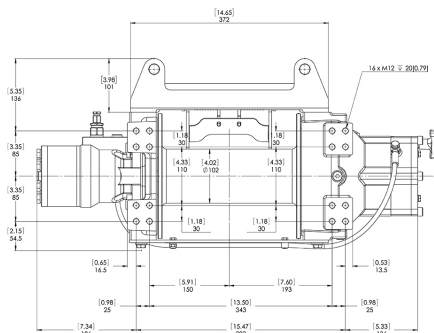
# Vime EPH 12000

## TECHNICAL DRAWINGS

Hydraulic Brake Model



Manual Brake Model



Compliant to SAE J706

### VIME WINCHES

- + Heavy equipment transport
- + Light to medium commercial towing
- + Superior design and reliability for the form factor you are most familiar with

Reliable, dependable, uncomplicated, and safer.

*Learn more about how, together, Sepson and Vime Winch Lines offer tow operators more power and more flexibility.*