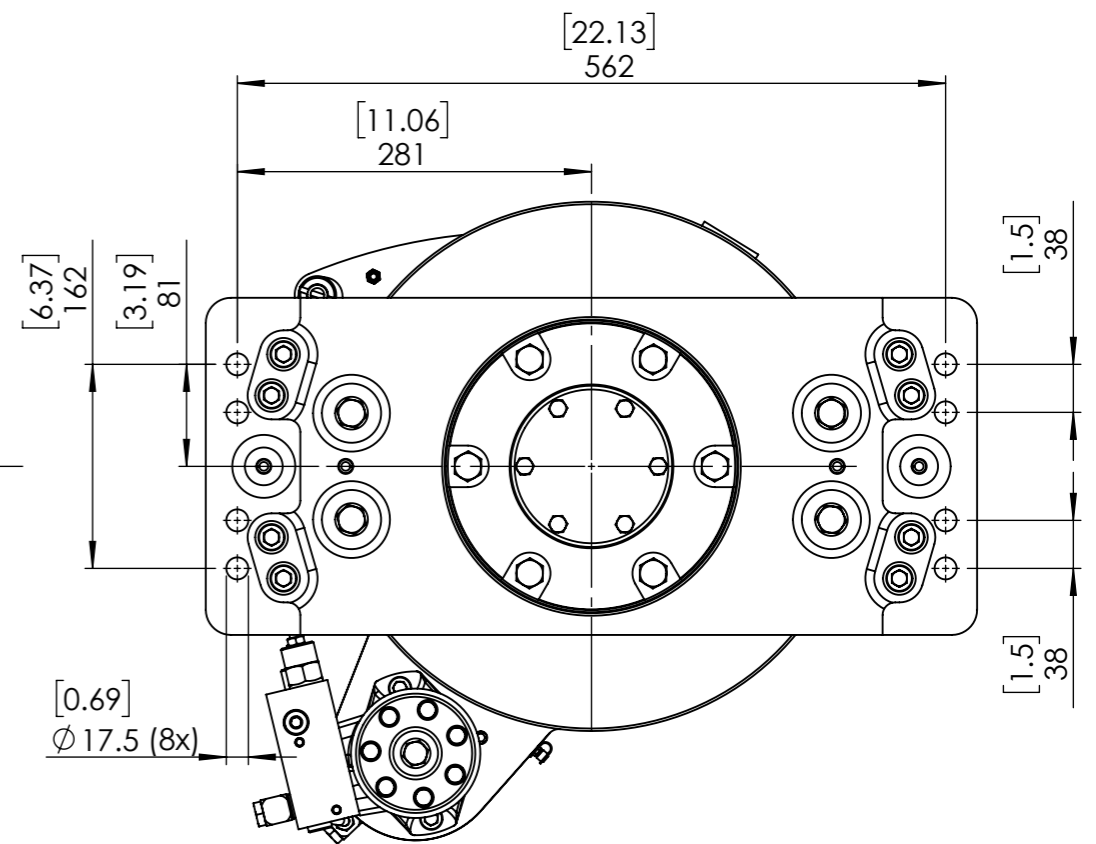
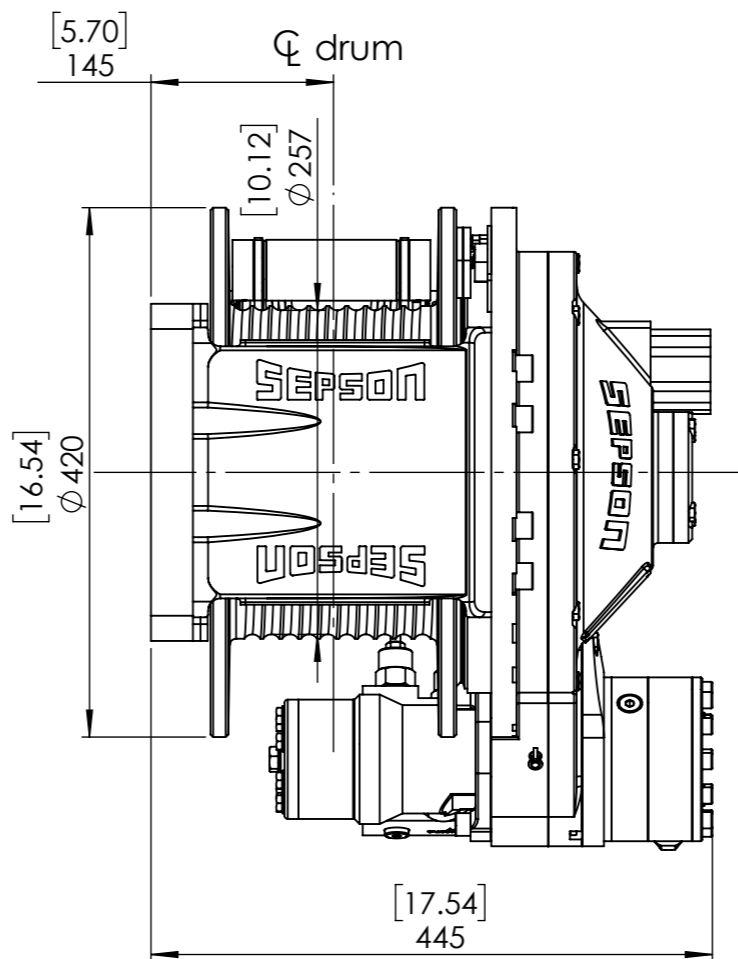
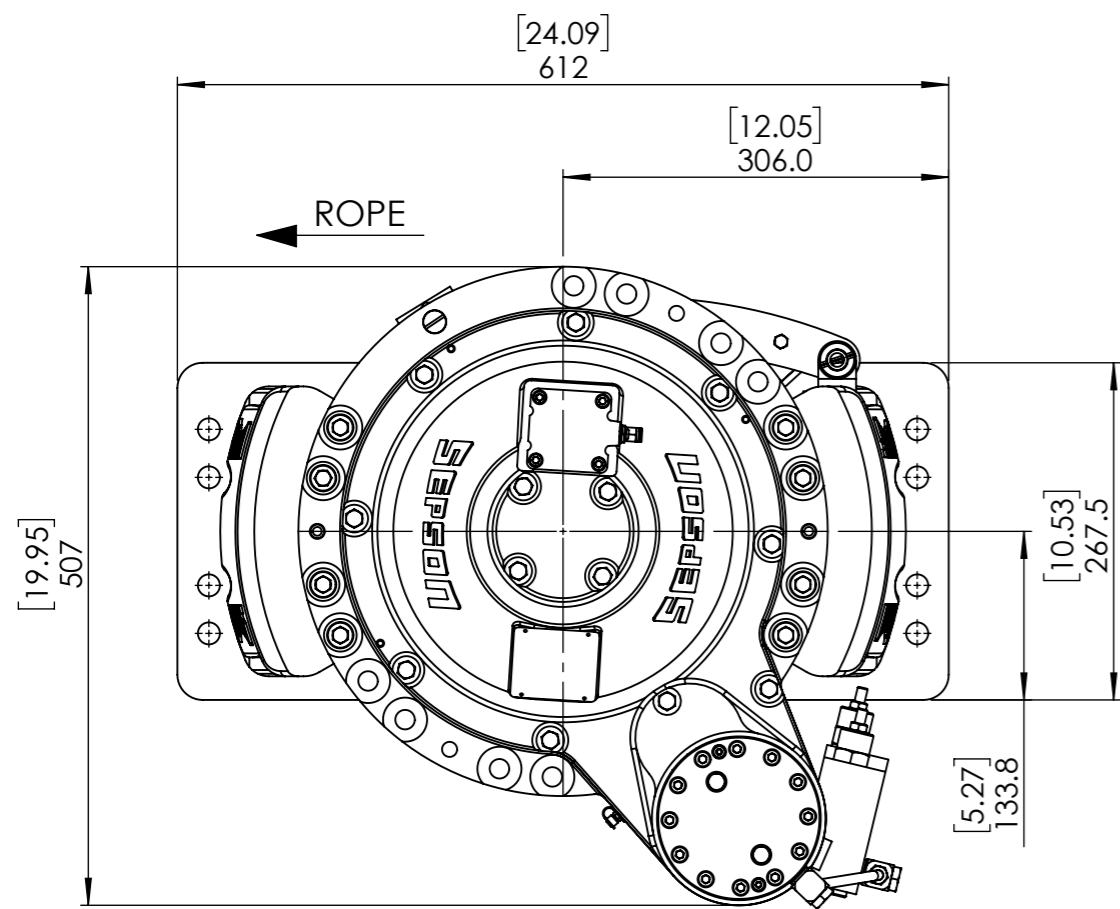


**SEPSON™**  
USA

Sepdurance S22K  
Overwound, Left Hand

MSK 6331-190  
412.212.6769  
www.sepson-usa.com



**SEPSON™**  
USA

Sepson S22K  
Overwound, Right Hand

MSK 6331-189  
412.212.6769  
www.sepson-usa.com