

Sepson H65K

Capable of the Biggest Jobs

**ASK US ABOUT
SNATCH BLOCKS
+ OTHER WAYS
TO ACCESSORIZE.**

Common Specifications

Max Pulling Force (<i>Low</i>)	
<i>Bottom Rope Layer</i>	65,000 lbs
<i>Top Rope Layer</i>	40,500 lbs
Max Rope Speed (<i>Low/High</i>)	
<i>Bottom Rope Layer</i>	10 / 27 ft/min
<i>Top Rope Layer</i>	16 / 45 ft/min
Max Oil Pressure	3,000 psi
Max Oil Flow	20 gpm
Rope Drum Diameter	10.12"
Rope Diameter	1"
D/d	10:1
No of Rope Layers	4
Rope L / Wt	200 ft / 320 lbs
Winch Wt	1,140 lbs

	H65K	Free Spool	Underwound	Overwound	Left Hand	Right Hand
Model Variations	6334-138	Pneumatic	X		X	
	6334-139	Pneumatic	X			X
	6334-140	Pneumatic		X	X	
	6334-141	Pneumatic		X		X



**MILITARY GRADE
WINCHES FOR YOUR
TOW EQUIPMENT**



@sepson_usa

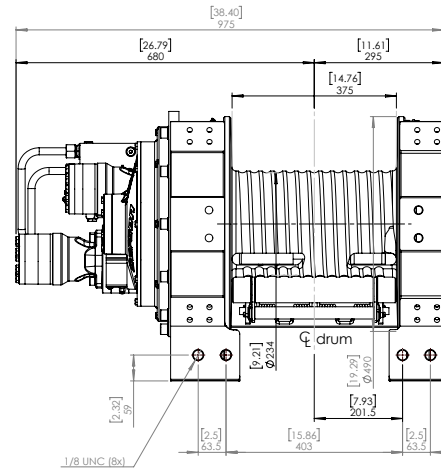
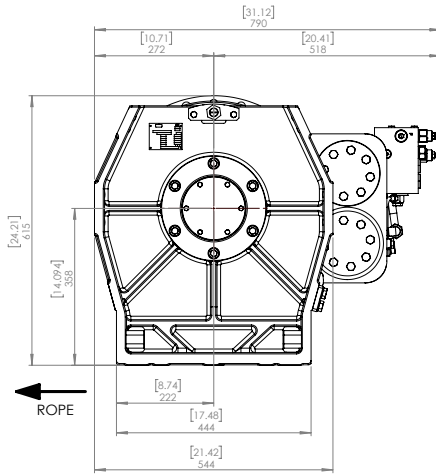
sepson-usa.com

412.212.6769

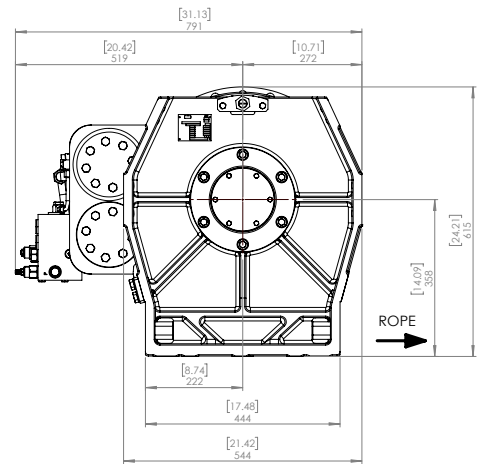
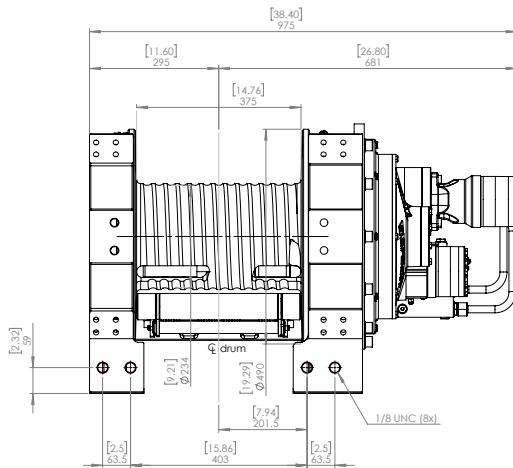
Sepson H65K

TECHNICAL DRAWINGS

Underwind Left Hand Model



Underwind Right Hand Model



Scan to view **Technical Drawings** for the H65K Overwind Models.

Compliant to SAE J706

SEPSON WINCHES

- + Built to military standards for commercial towing
- + Highest caliber durability
- + Compact designs for side-by-side fitting and more narrow footprints

Reliable, dependable, uncomplicated, and safer.

Learn more about how, together, Sepson and Vime Winch Lines offer tow operators more power and more flexibility.