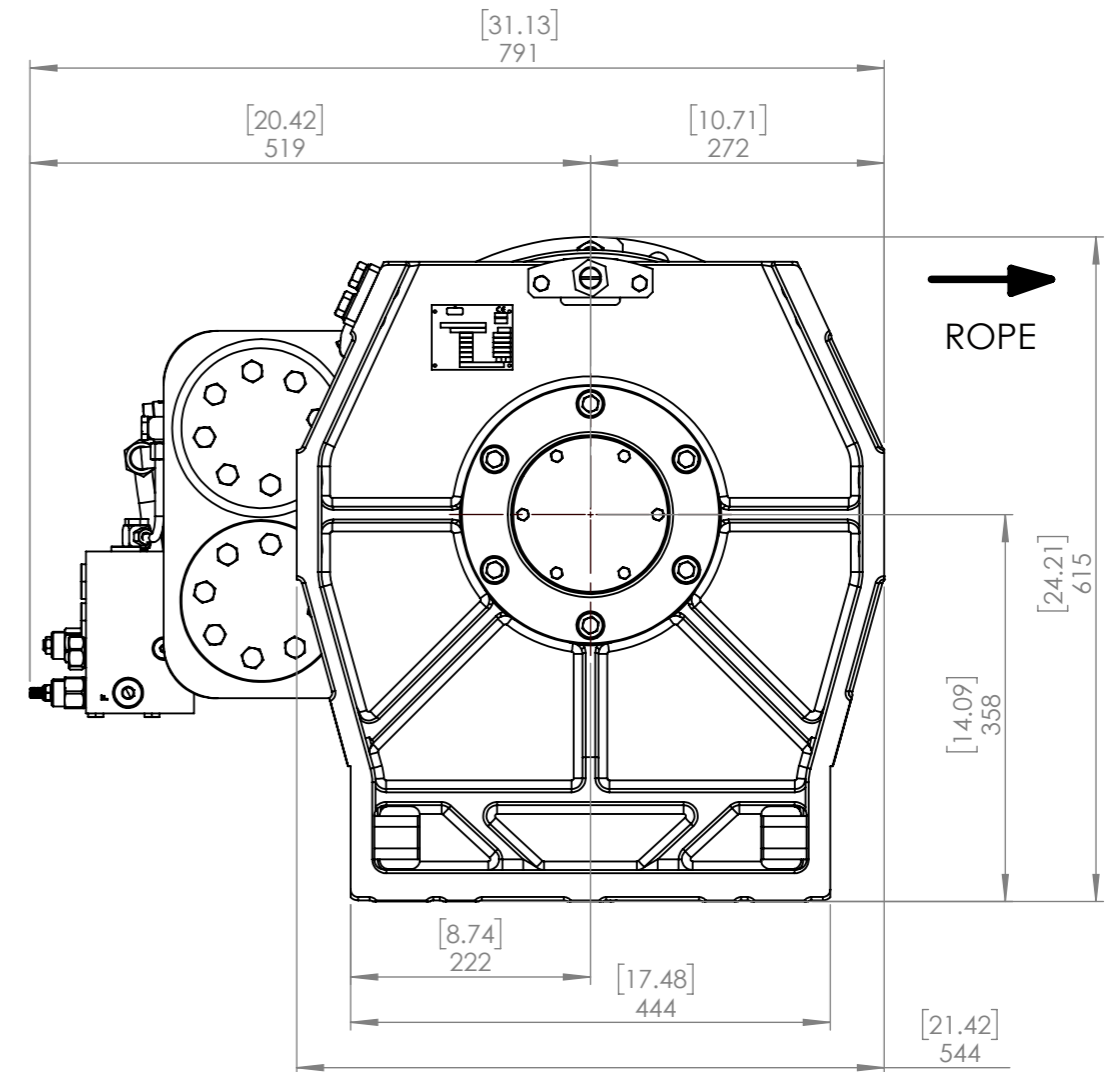
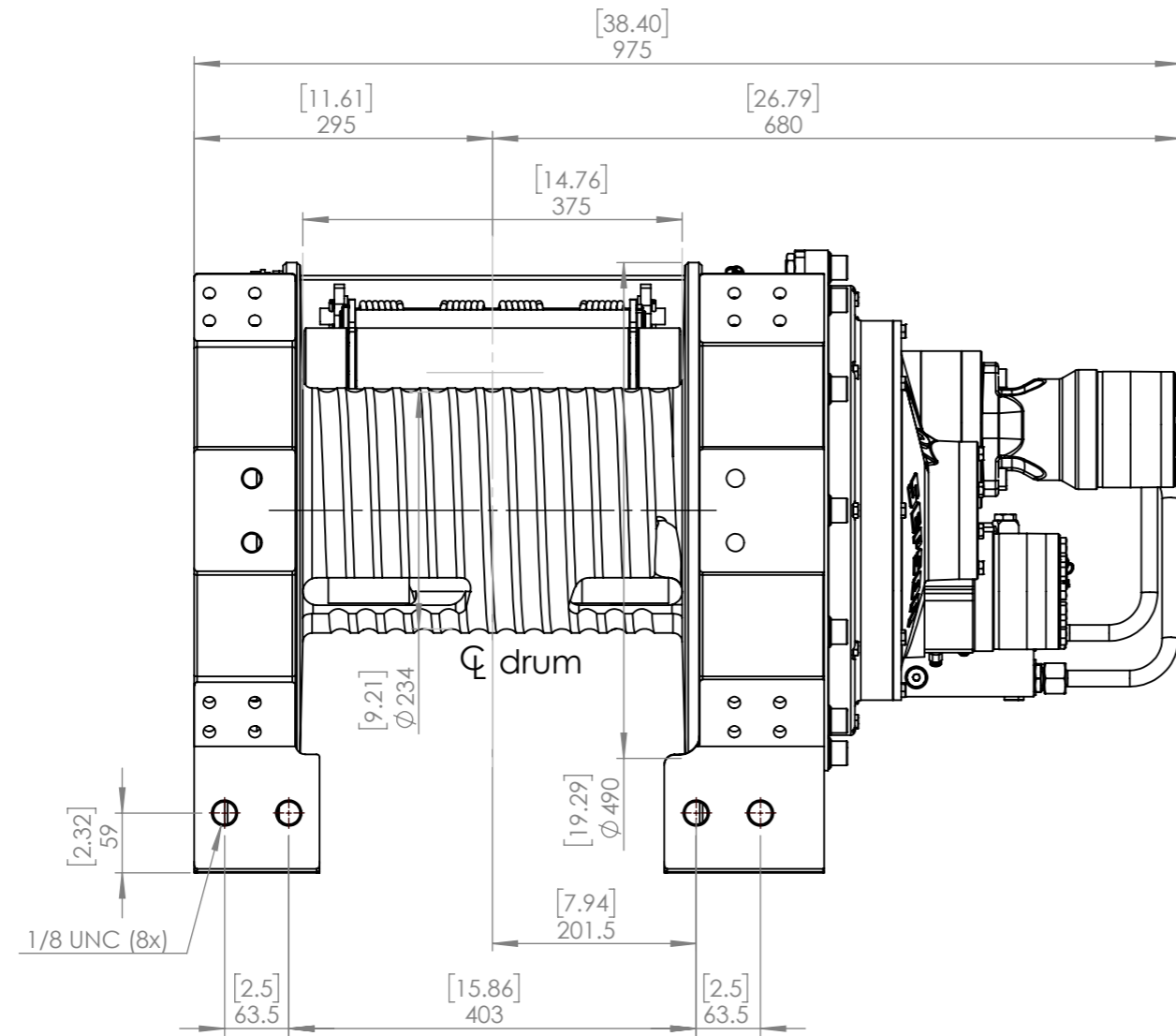


SEPSON™
USA

Sepson H65K
Overwound, Left Hand

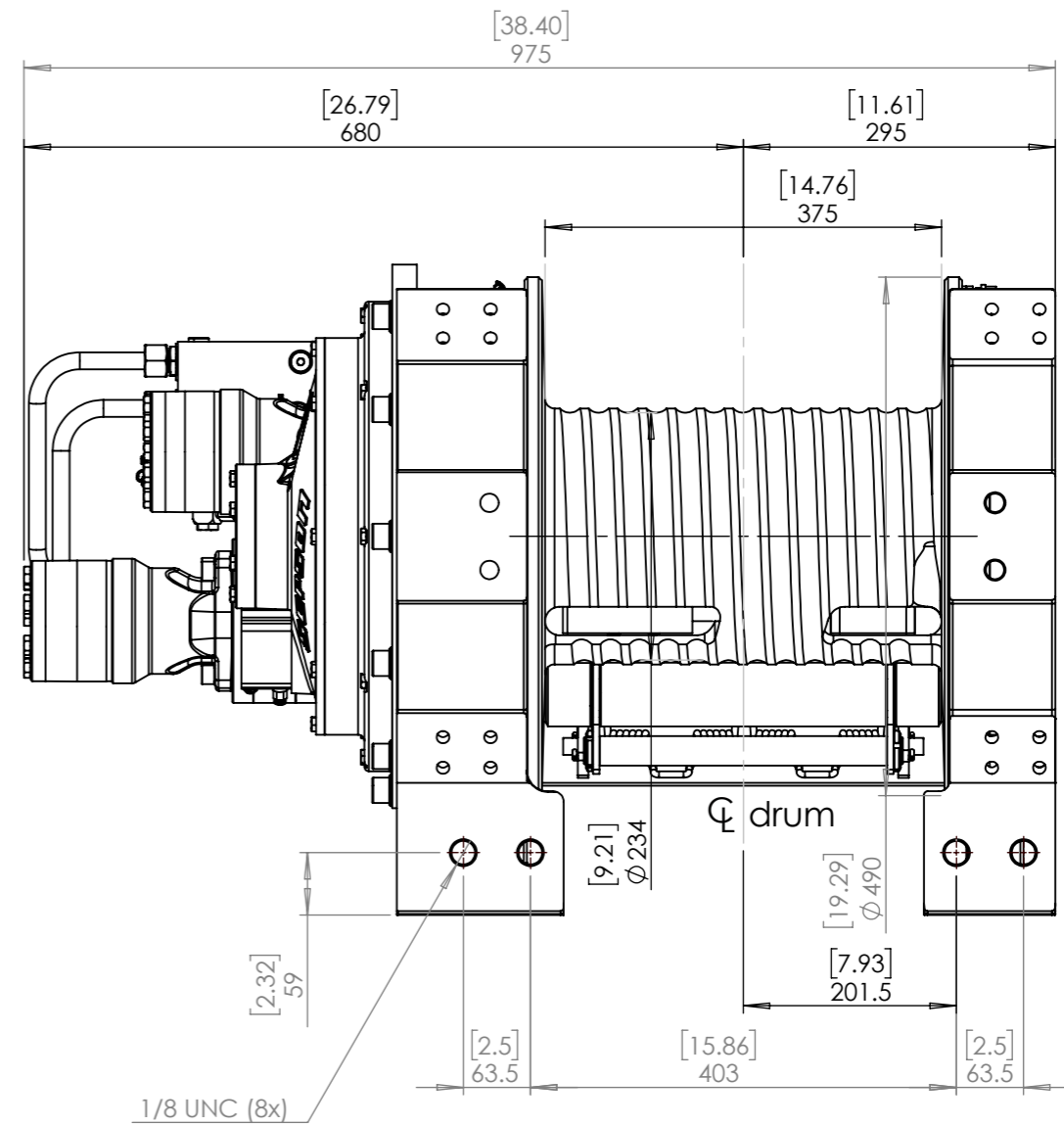
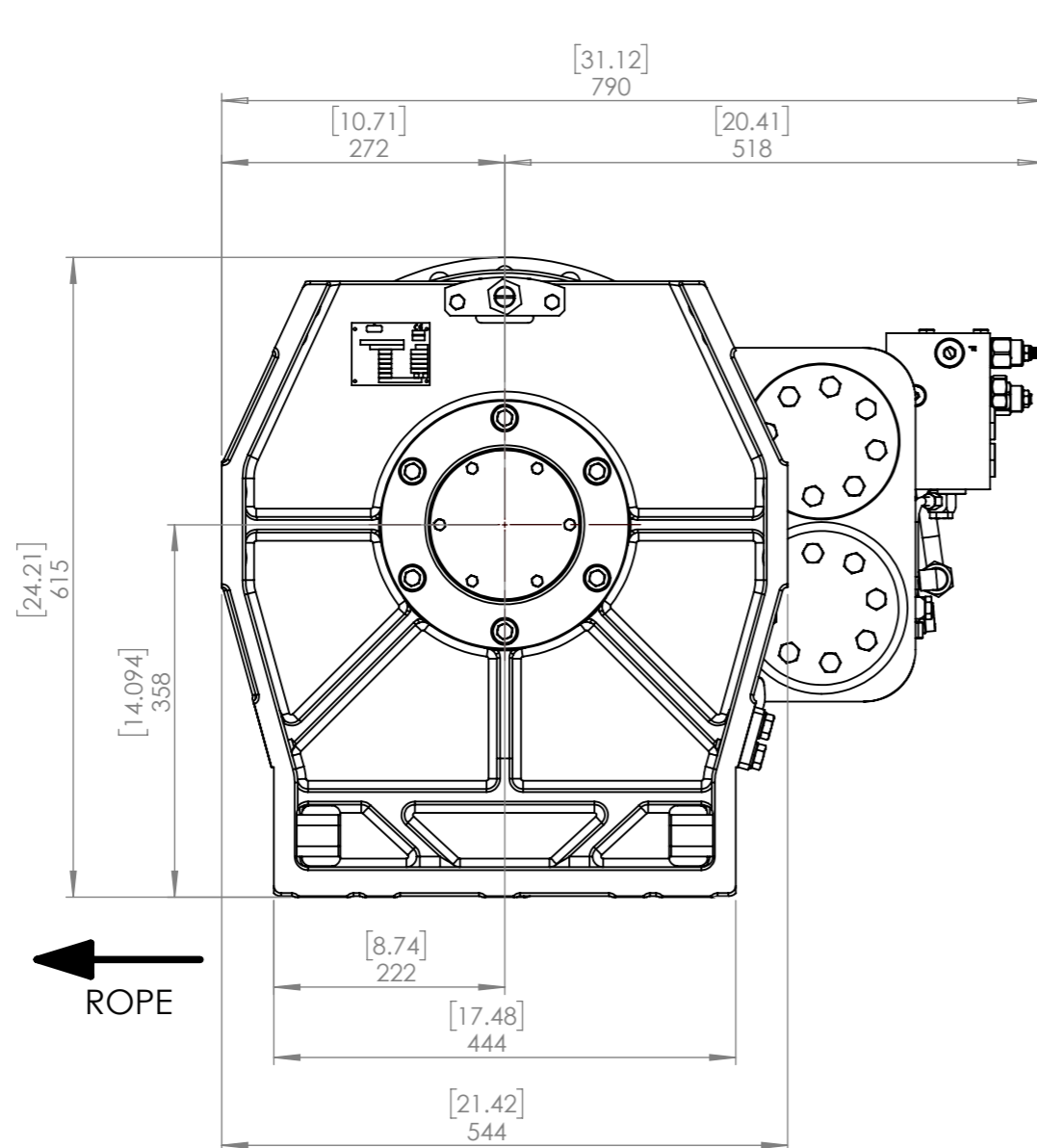
MSK 6334-140
412.212.6769
www.sepson-usa.com



SEPSON™
USA

Sepson H65K
Overwound, Right Hand

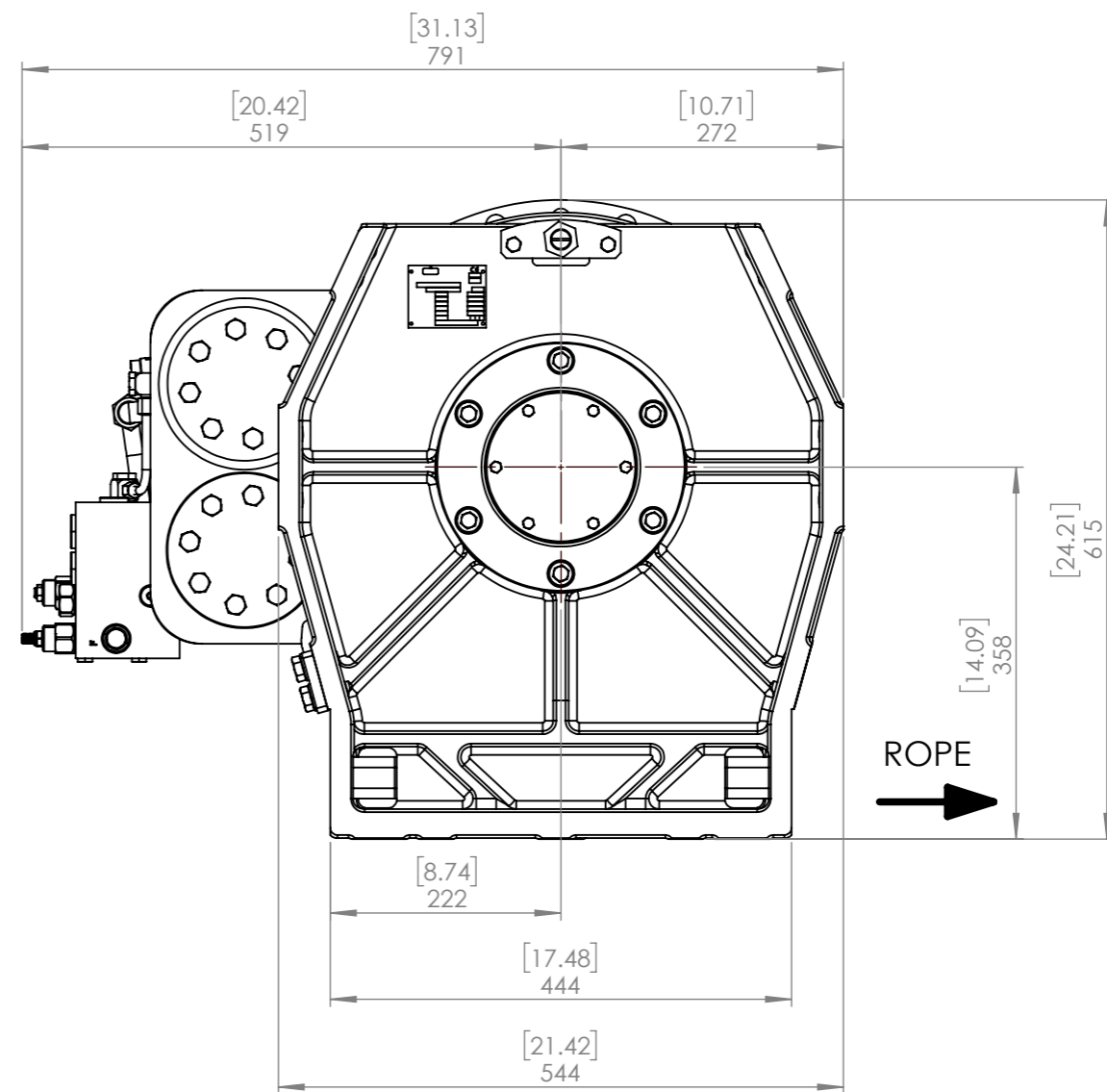
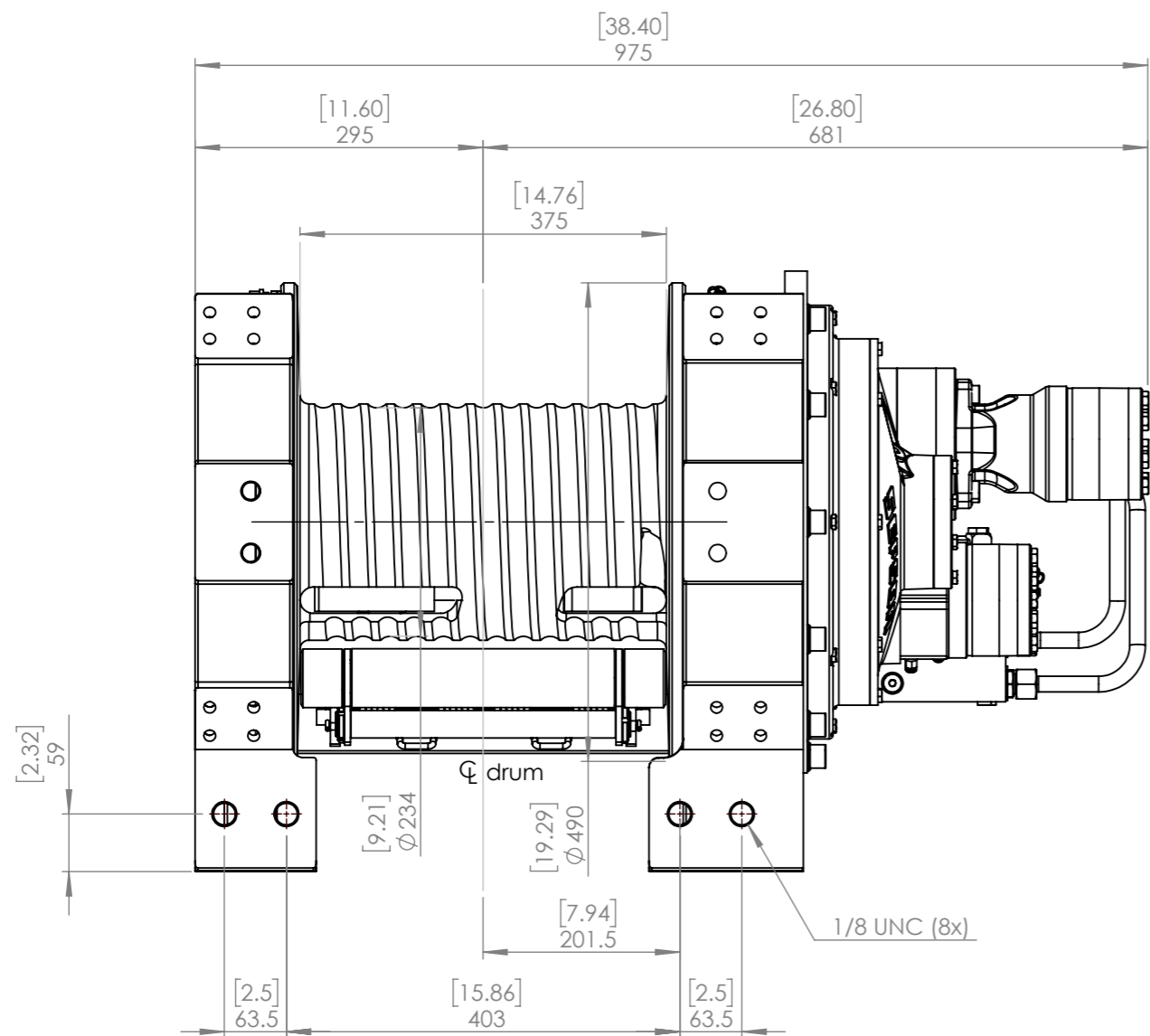
MSK 6334-141
412.212.6769
www.sepson-usa.com



SEPSON™
USA

Sepson H65K
Underwound, Left Hand

MSK 6334-138
412.212.6769
www.sepson-usa.com



SEPSON™
USA

Sepson H65K
Underwound, Right Hand

MSK 6334-139

412.212.6769

www.sepson-usa.com