



SEPDURANCE S22K



A Side Puller for

Stable Reach

Common Specifications

Freespool clutch	Pneumatic
------------------	-----------

Max. pulling force	
<i>Bottom rope layer</i>	22,000 lbs
<i>Top rope layer</i>	15,600 lbs

Max. rope speed	
<i>Bottom rope layer</i>	20 ft/min
<i>Top rope layer</i>	28 ft/min

Max. oil pressure	2,500 psi
Max. oil flow	16 GPM

Rope drum diameter (inner)	10.12"
Rope diameter	9/16"
D/d	19.3:1
Rope MBL (EN 14492-1)	44,000 lbs
Number of rope layers	5

Rope length	200 ft
Winch weight	470 lbs
Rope weight	105 lbs

TECHNICAL DATA

See reverse for
Technical Drawings

Model Variations

	#6331-189 S22K	#6331-190 S22K
Over wound	X	X
Left hand		X
Right hand	X	

**MILITARY GRADE
WINCHES FOR YOUR
TOW EQUIPMENT**

Reliable, dependable, uncomplicated, and safer.

412.444.5409

www.sepson-usa.com

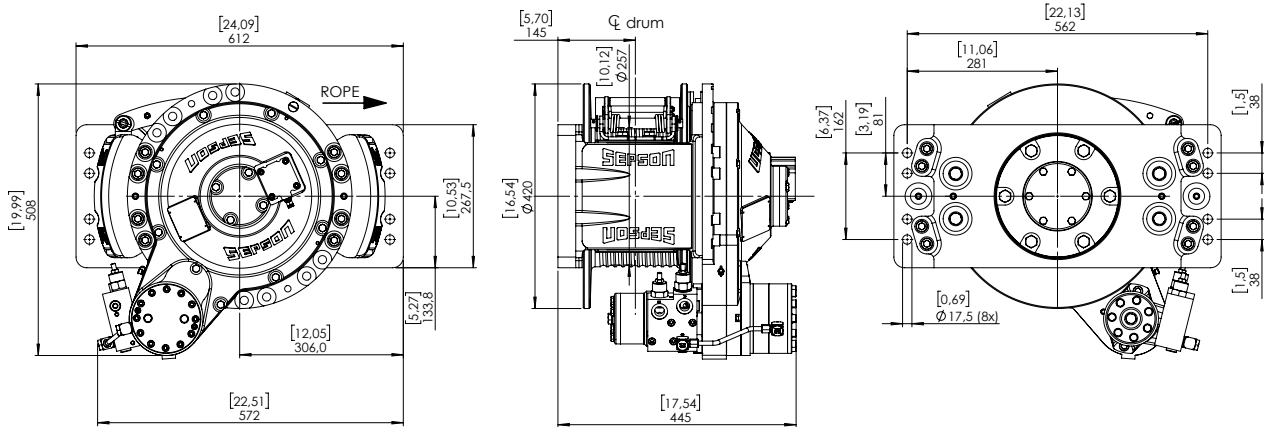


facebook.com/sepsonusa

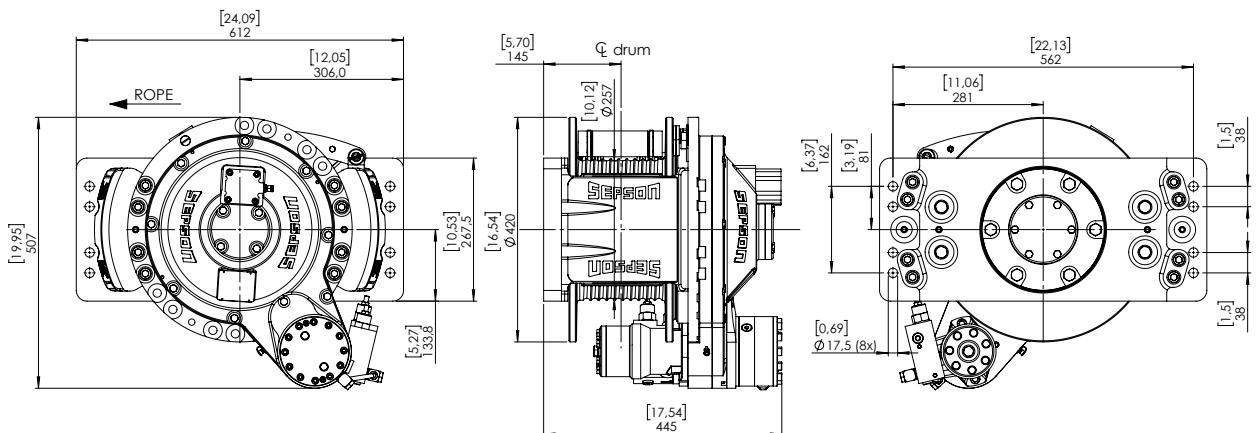


[@sepson_usa](https://instagram.com/sepson_usa)

OVER WOUND LEFT HAND MODEL



OVER WOUND RIGHT HAND MODEL



See website for additional model diagrams.

Compliant to EN 14492-1

**MILITARY GRADE
WINCHES FOR YOUR
TOW EQUIPMENT**

Reliable, dependable, uncomplicated, and safer.

412.444.5409

www.sepson-usa.com

[facebook.com/sepsonusa](https://www.facebook.com/sepsonusa)

[@sepson_usa](https://www.instagram.com/sepson_usa)