



SEPDURANCE H65K



TECHNICAL DATA

See reverse for
Technical Drawings

Capable of the

Biggest Jobs

Common Specifications

Freespool clutch	Pneumatic
Max. pulling force in low speed mode	
<i>Bottom rope layer</i>	65,000 lbs
<i>Top rope layer</i>	40,500 lbs
Max. rope speed in low speed mode	
<i>Bottom rope layer</i>	10 ft/min
<i>Top rope layer</i>	16 ft/min
Max. rope speed in high speed mode	
<i>Bottom rope layer</i>	27 ft/min
<i>Top rope layer</i>	45 ft/min
Max. oil pressure	3,000 psi
Max. oil flow	20 GPM
Rope drum diameter (inner)	10.12"
Rope diameter	1"
D/d	10:1
Rope MBL (EN 14492-1)	≥ 130,000 lbs
Number of rope layers	4
Rope length	200 ft
Winch weight	1,140 lbs
Rope weight	320 lbs

Model Variations

	#6334-138 H65K	#6334-139 H65K	#6334-140 H65K	#6334-141 H65K
Under wound	X	X		
Over wound			X	X
Left hand	X		X	
Right hand		X		X

**MILITARY GRADE
WINCHES FOR YOUR
TOW EQUIPMENT**

Reliable, dependable, uncomplicated, and safer.

412.444.5409

www.sepson-usa.com

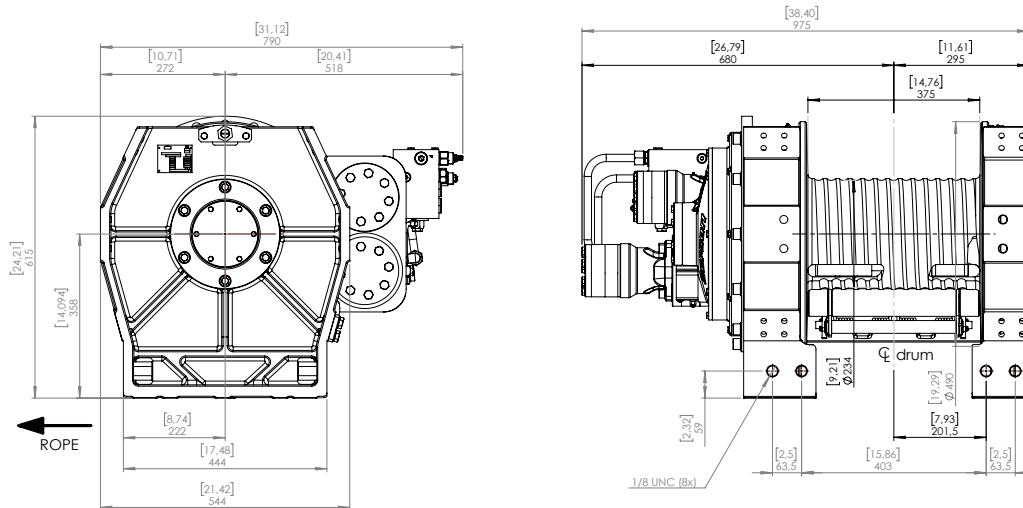


facebook.com/sepsonusa

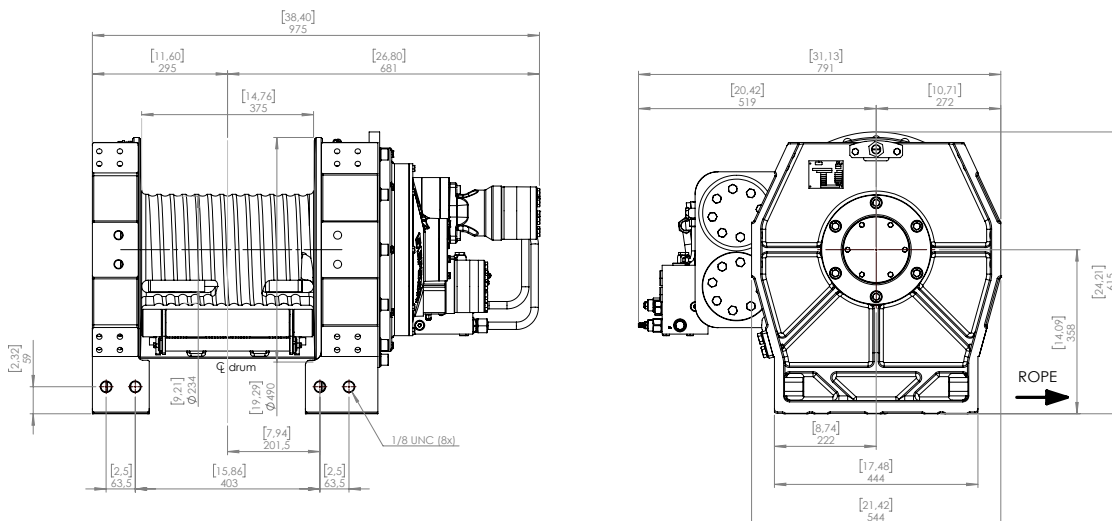


[@sepson_usa](https://instagram.com/sepson_usa)

UNDER WOUND LEFT HAND MODEL



UNDER WOUND RIGHT HAND MODEL



See website for additional model diagrams.

Compliant to EN 14492-1

**MILITARY GRADE
WINCHES FOR YOUR
TOW EQUIPMENT**

Reliable, dependable, uncomplicated, and safer.

412.444.5409

www.sepson-usa.com

facebook.com/sepsonusa

@sepson_usa