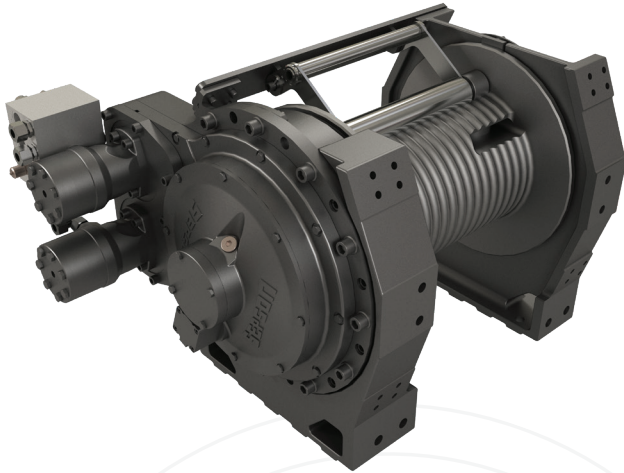




SEPDURANCE H50K

for 7/8" ROPE



TECHNICAL DATA

See reverse for
Technical Drawings

Built to be

Rotator Ready

Common Specifications

Freespool clutch	Pneumatic
Max. pulling force in low speed mode	
<i>Bottom rope layer</i>	50,000 lbs
<i>Top rope layer</i>	34,800 lbs
Max. rope speed in low speed mode	
<i>Bottom rope layer</i>	10 ft/min
<i>Top rope layer</i>	17 ft/min
Max. rope speed in high speed mode	
<i>Bottom rope layer</i>	36 ft/min
<i>Top rope layer</i>	55 ft/min
Max. oil pressure	3,000 psi
Max. oil flow	20 GPM
Rope drum diameter (inner)	11"
Rope diameter	7/8"
D/d	13.7:1
Rope MBL (EN 14492-1)	≥ 100,000 lbs
Number of rope layers	4
Rope length	260 ft
Rope weight	441 lbs
Winch weight	1160 lbs

Model Variations

	#6334-121 H50K for 7/8" ROPE	#6334-122 H50K for 7/8" ROPE	#6334-125 H50K for 7/8" ROPE	#6334-126 H50K for 7/8" ROPE
Under wound			X	X
Over wound	X	X		
Left hand	X		X	
Right hand		X		X

**MILITARY GRADE
WINCHES FOR YOUR
TOW EQUIPMENT**

Reliable, dependable, uncomplicated, and safer.

412.444.5409

www.sepson-usa.com

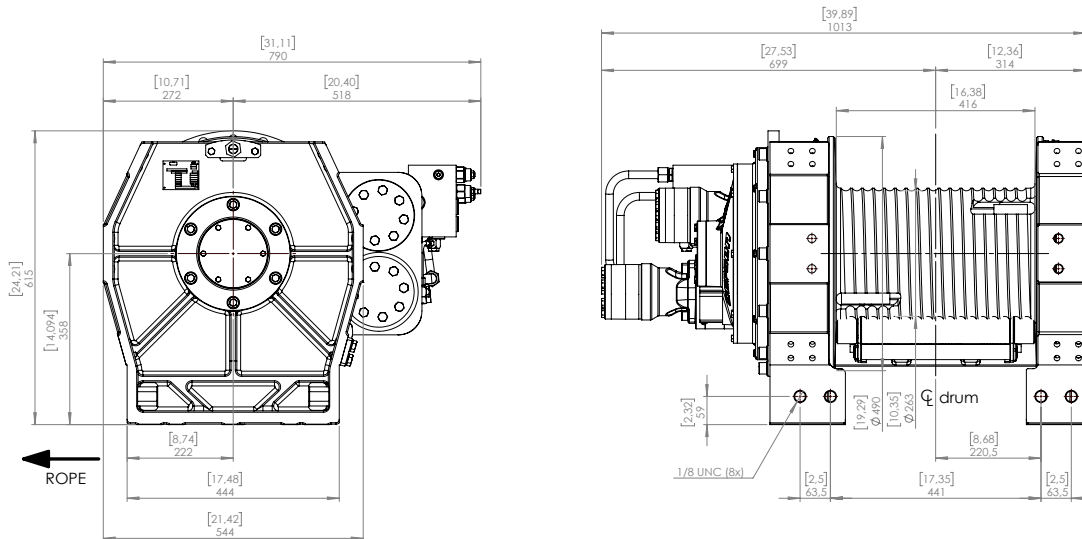


facebook.com/sepsonusa

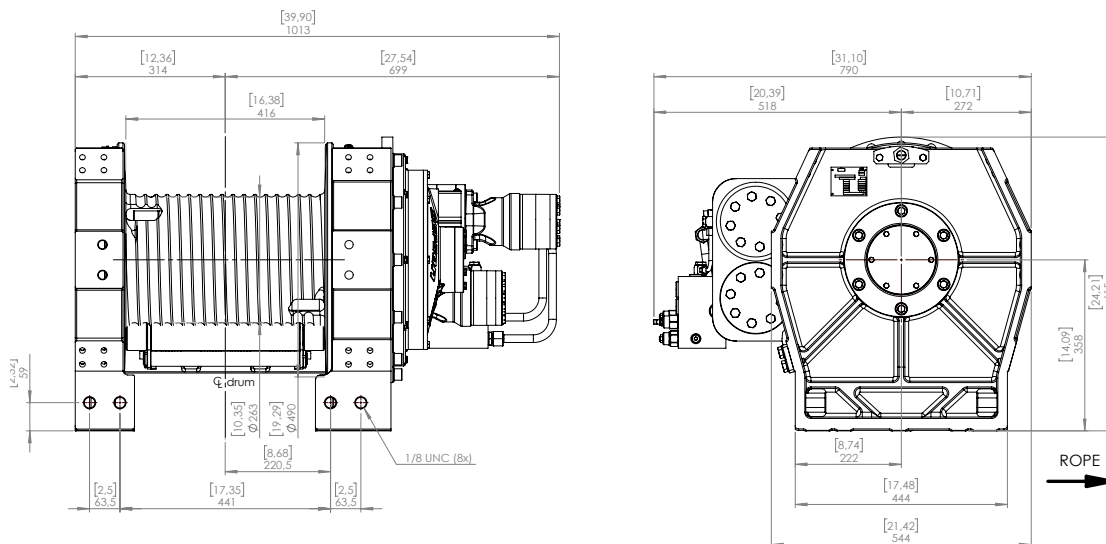


[@sepson_usa](https://instagram.com/sepson_usa)

UNDER WOUND LEFT HAND MODEL



UNDER WOUND RIGHT HAND MODEL



See website for additional model diagrams.

Compliant to EN 14492-1

**MILITARY GRADE
WINCHES FOR YOUR
TOW EQUIPMENT**

Reliable, dependable, uncomplicated, and safer.

412.444.5409

www.sepson-usa.com

 facebook.com/sepsonusa

 [@sepson_usa](https://instagram.com/sepson_usa)