



SEPDURANCE H35K



TECHNICAL DATA

See reverse for
Technical Drawings

Featuring

Higher Line Pulls

Common Specifications

Freespool clutch	Pneumatic
Max. pulling force in low speed mode <i>Bottom rope layer</i>	35,000 lbs
<i>Top rope layer</i>	24,000 lbs
Max. pulling force in high speed mode <i>Bottom rope layer</i>	17,500 lbs
<i>Top rope layer</i>	12,000 lbs
Max. rope speed in low speed mode <i>Bottom rope layer</i>	17 ft/min
<i>Top rope layer</i>	21 ft/min
Max. rope speed in high speed mode <i>Bottom rope layer</i>	33 ft/min
<i>Top rope layer</i>	41 ft/min
Max. oil pressure	2,500 psi
Max. oil flow	18 GPM
Rope drum diameter (inner)	9.06"
Rope diameter	3/4"
D/d	13.1:1
Rope MBL (EN 14492-1)	≥ 70,000 lbs
Number of rope layers	4
Rope length	164 ft
Rope weight	243 lbs
Winch weight	550 lbs

Model Variations	#6336-005 H35K	#6336-006 H35K
Under wound	X	
Over wound		X

**MILITARY GRADE
WINCHES FOR YOUR
TOW EQUIPMENT**

Reliable, dependable, uncomplicated, and safer.

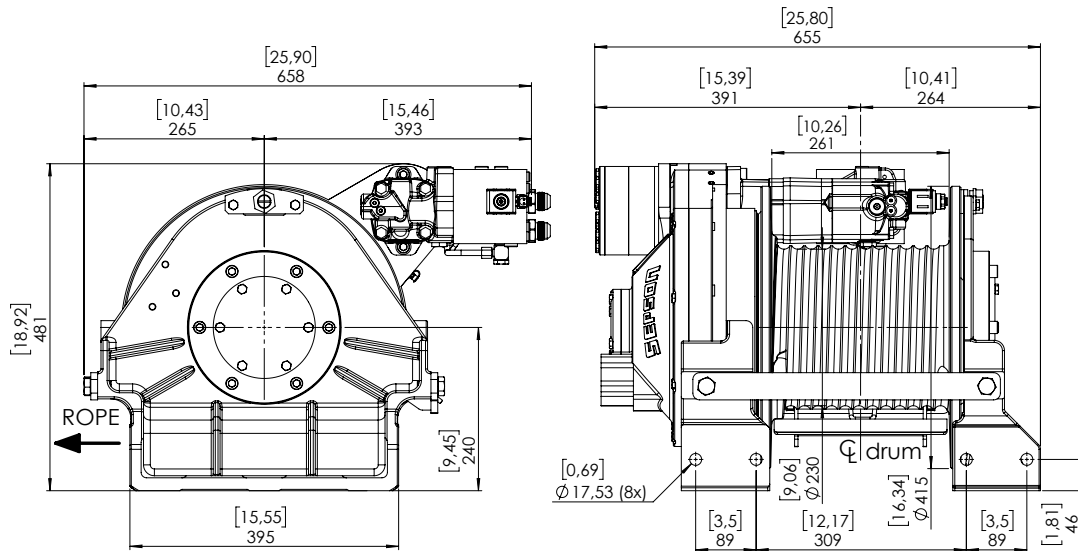
412.444.5409

www.sepson-usa.com

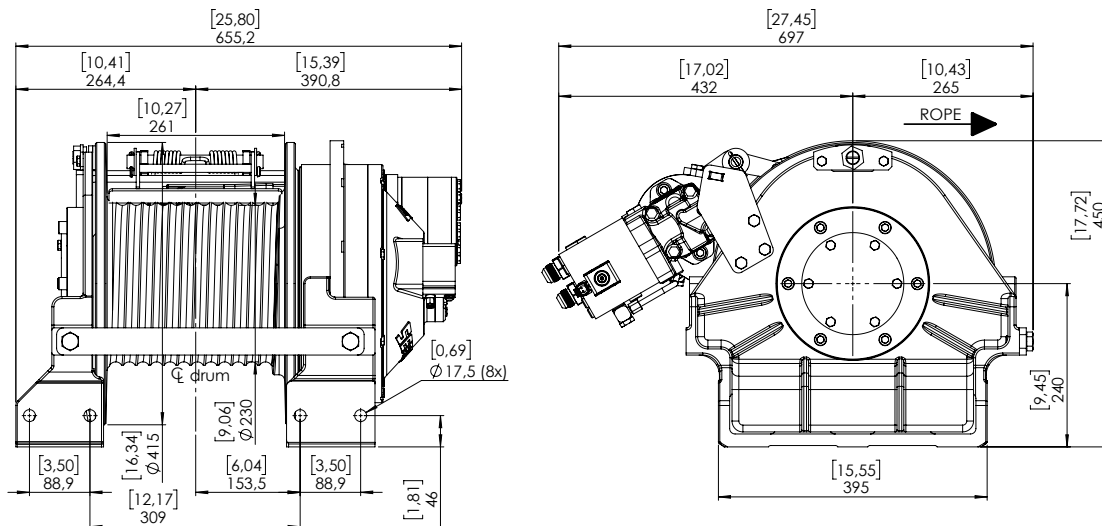
facebook.com/sepsonusa

[@sepson_usa](https://instagram.com/sepson_usa)

UNDER WOUND MODEL



OVER WOUND MODEL



Compliant to EN 14492-1


**MILITARY GRADE
WINCHES FOR YOUR
TOW EQUIPMENT**

Reliable, dependable, uncomplicated, and safer.

412.444.5409

www.sepson-usa.com

 facebook.com/sepsonusa

 @sepson_usa