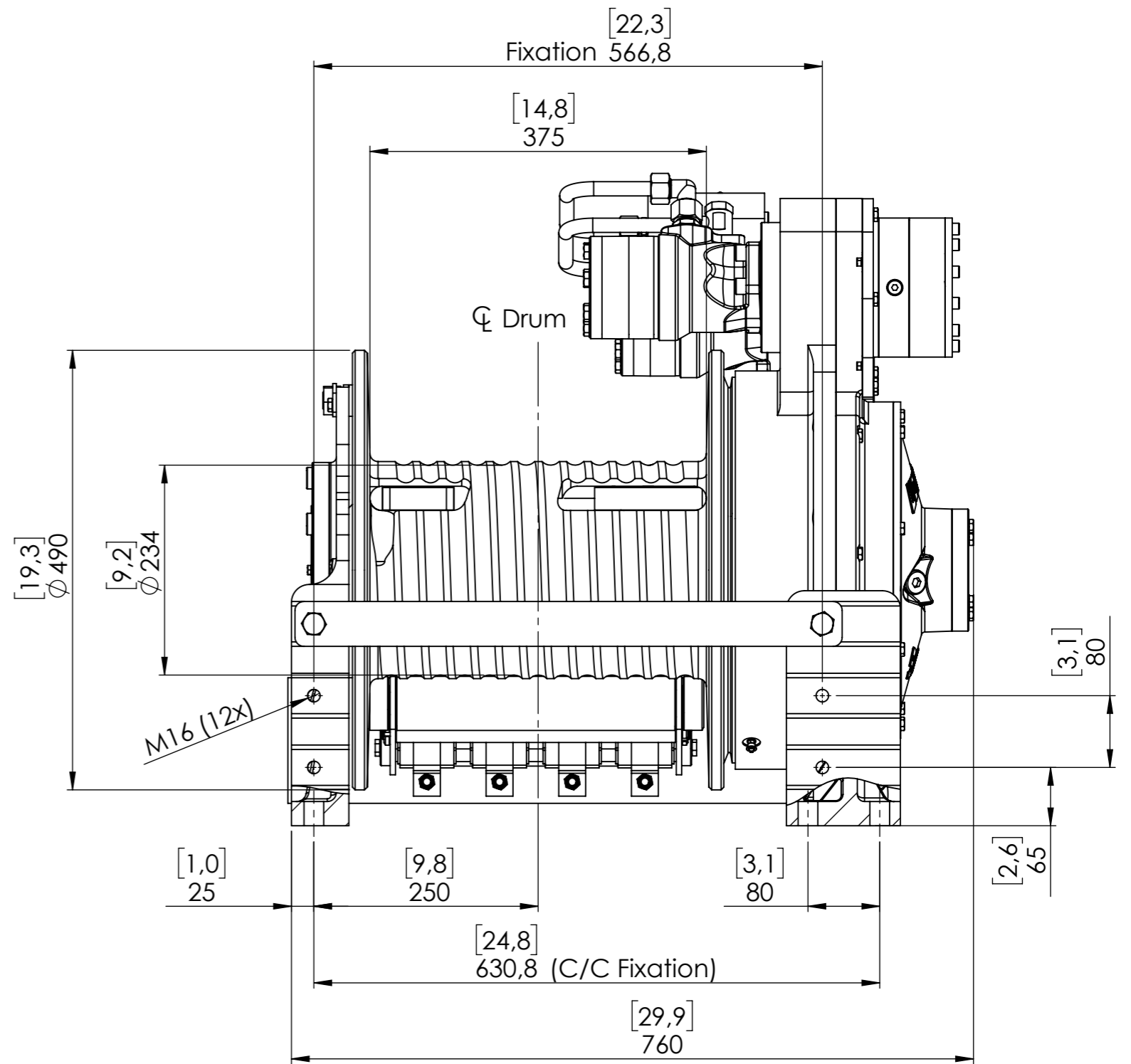


Fixation:
 14 pcs M20 10.9 bolts on horizontal plane
 2 pcs M16 10.9 bolts on vertical plane (at rear of winch)



Sepdurance H60K
 60.000 Lbs (265 kN)
 Overwind

MSK 6334-098

412.444.5409

www.sepson-usa.com