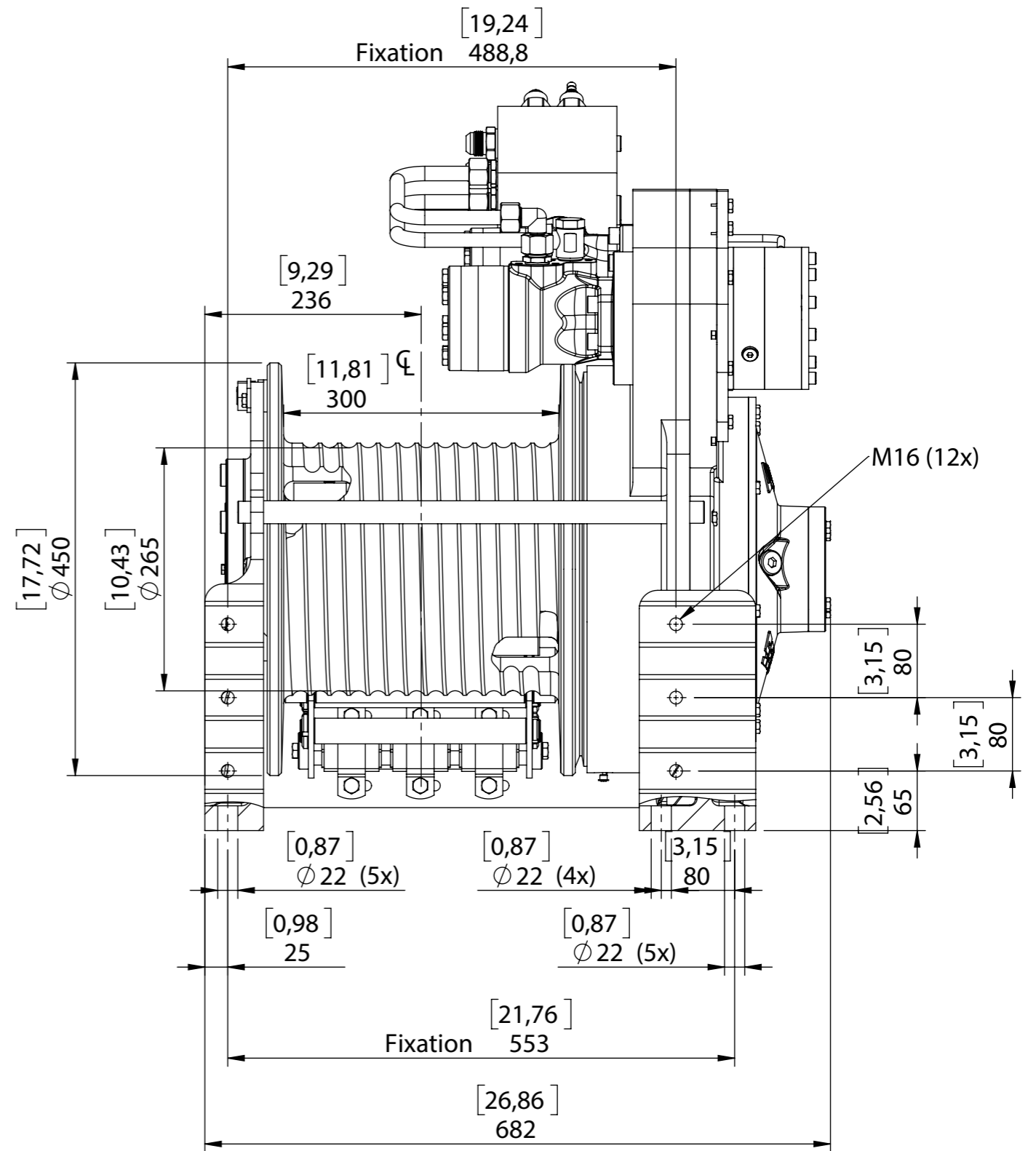


Fixation:
 14 pcs M20 10.9 bolts on horizontal plane
 2 pcs M16 10.9 bolts on vertical plane (at rear of winch)



Sepdurance H50K
 50.000 Lbs (220 kN)
 Underwound

MSK 6334-084
 412.444.5409
www.sepson-usa.com