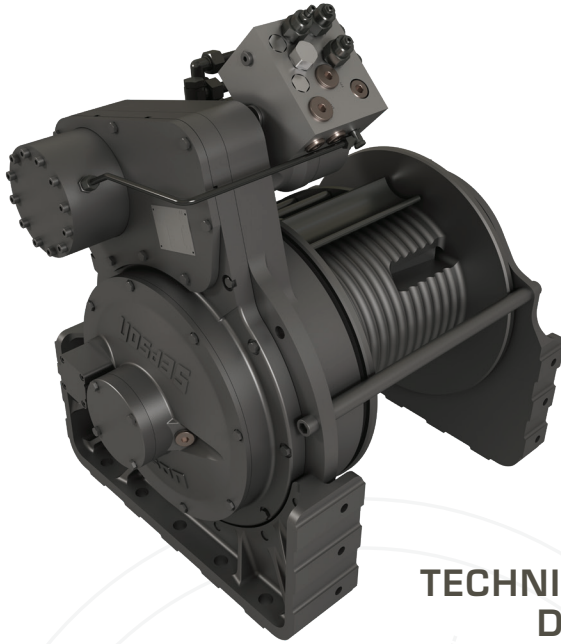




SEPDURANCE H50K

for 7/8" ROPE



TECHNICAL DATA

See reverse for
Technical Drawings

Built to be

Rotator Ready

Common Specifications

Freespool clutch	Pneumatic
Max. pulling force in low speed mode	
<i>Bottom rope layer</i>	50,000 lbs
<i>Top rope layer</i>	34,000 lbs
Max. rope speed in low speed mode	
<i>Bottom rope layer</i>	10 ft/min
<i>Top rope layer</i>	16 ft/min
Max. rope speed in high speed mode	
<i>Bottom rope layer</i>	32 ft/min
<i>Top rope layer</i>	47 ft/min
Maximum oil pressure	2,600 psi
Maximum oil flow	20 GPM
Rope drum diameter	11"
Rope diameter	7/8"
Rope length	200 ft
Rope MBL (EN 14492-1)	≥ 100,000 lbs
Number of rope layers	4
Winch weight	1,000 lbs
Rope weight	375 lbs

Model Variations

	#6334-091 H50K for 7/8" ROPE	#6334-092 H50K for 7/8" ROPE	#6334-093 H50K for 7/8" ROPE	#6334-094 H50K for 7/8" ROPE
Under wound	X	X		
Over wound			X	X
Left hand	X		X	
Right hand		X		X

**MILITARY GRADE
WINCHES FOR YOUR
TOW EQUIPMENT**

Reliable, dependable, uncomplicated, and safer.

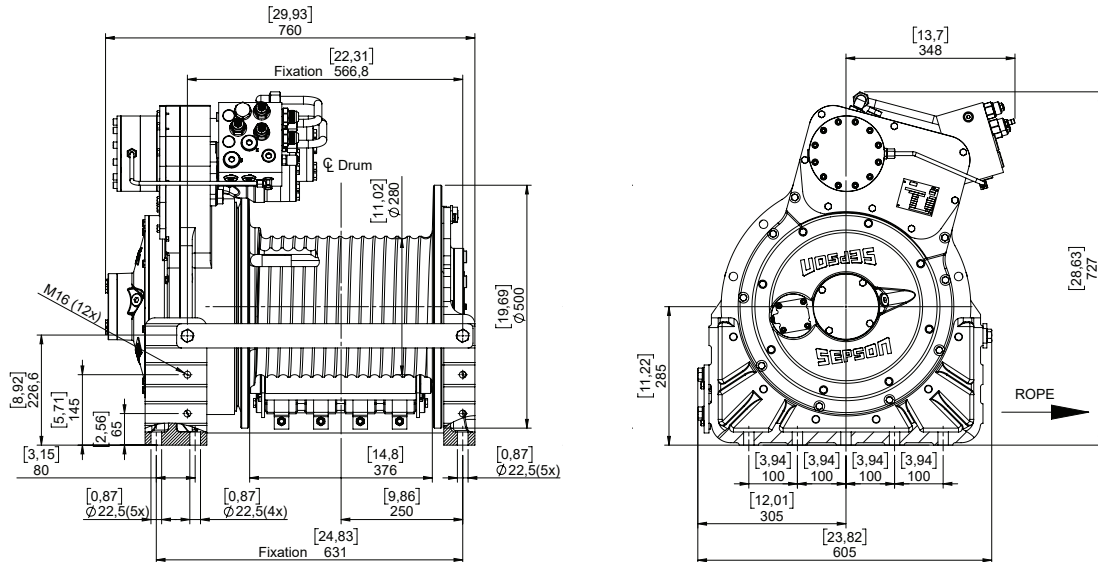
412.444.5409

www.sepson-usa.com

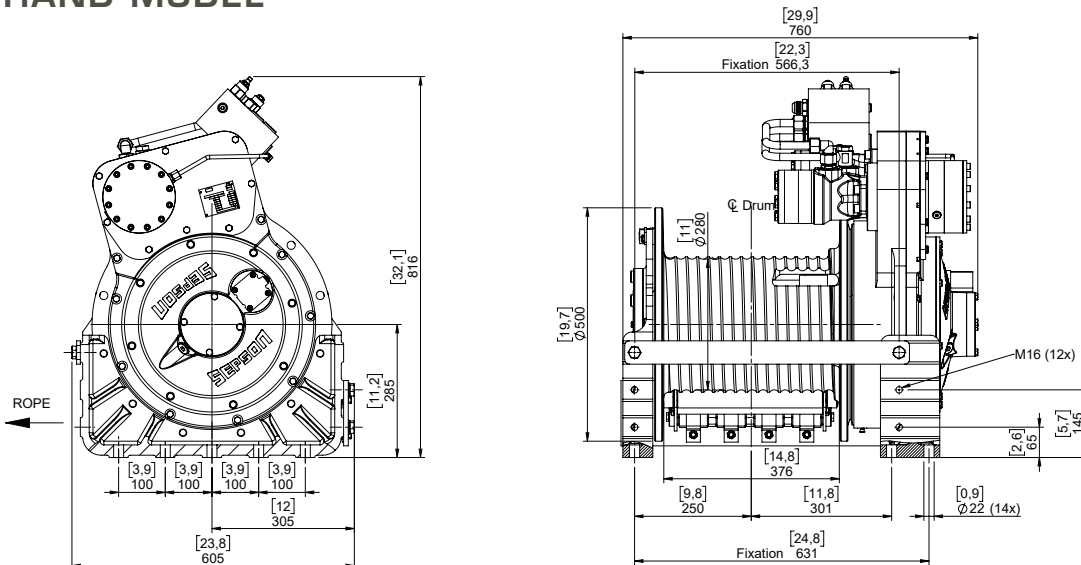
facebook.com/sepsonusa

[@sepson_usa](https://instagram.com/sepson_usa)

UNDER WOUND LEFT HAND MODEL



UNDER WOUND RIGHT HAND MODEL



See website for additional model diagrams.

Compliant to EN 14492-1

**MILITARY GRADE
WINCHES FOR YOUR
TOW EQUIPMENT**

Reliable, dependable, uncomplicated, and safer.

412.444.5409

www.sepson-usa.com

 facebook.com/sepsonusa

 @sepson_usa