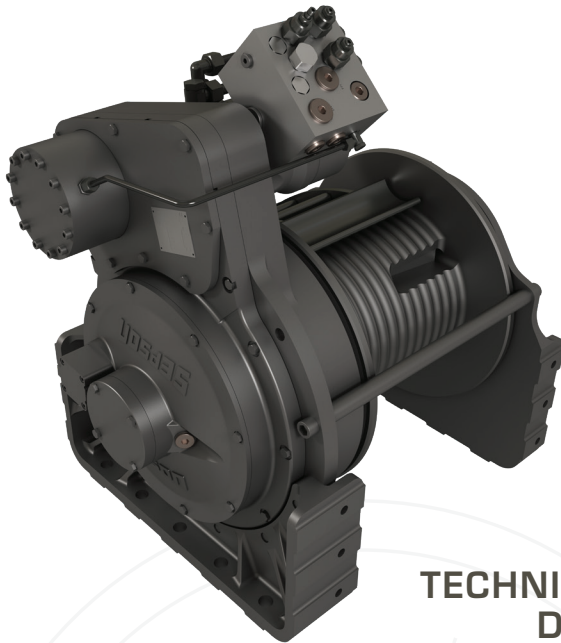




SEPDURANCE H50K

for 3/4" ROPE



TECHNICAL DATA

See reverse for
Technical Drawings

Built to be

Rotator Ready

Common Specifications

Freespool clutch	Pneumatic
Max. pulling force in low speed mode	
<i>Bottom rope layer</i>	50,000 lbs
<i>Top rope layer</i>	37,000 lbs
Max. rope speed in low speed mode	
<i>Bottom rope layer</i>	10 ft/min
<i>Top rope layer</i>	17 ft/min
Max. rope speed in high speed mode	
<i>Bottom rope layer</i>	36 ft/min
<i>Top rope layer</i>	55 ft/min
Maximum oil pressure	3,000 psi
Maximum oil flow	20 GPM
Rope drum diameter	10.5"
Rope diameter	3/4"
Rope length	200 ft
Rope MBL (EN 14492-1)	≥ 100,000 lbs
Number of rope layers	4
Winch weight	880 lbs
Rope weight	286 lbs

Model Variations

	#6334-083 H50K for 3/4" ROPE	#6334-084 H50K for 3/4" ROPE	#6334-095 H50K for 3/4" ROPE	#6334-096 H50K for 3/4" ROPE
Under wound	X	X		
Over wound			X	X
Left hand	X		X	
Right hand		X		X

**MILITARY GRADE
WINCHES FOR YOUR
TOW EQUIPMENT**

Reliable, dependable, uncomplicated, and safer.

412.444.5409

www.sepson-usa.com

facebook.com/sepsonusa

[@sepson_usa](https://instagram.com/sepson_usa)

