



TECHNICAL DATA

See reverse for
Technical Drawings

Featuring

Automatic 2-Speed

Common Specifications

Freespool clutch	Pneumatic
------------------	-----------

Max. pulling force in low speed mode	
<i>Bottom rope layer</i>	35,000 lbs
<i>Top rope layer</i>	24,150 lbs

Max. pulling force in high speed mode	
<i>Bottom rope layer</i>	9,000 lbs
<i>Top rope layer</i>	6,200 lbs

Max. rope speed in low speed mode	
<i>Bottom rope layer</i>	20 ft/min
<i>Top rope layer</i>	25 ft/min

Max. rope speed in high speed mode	
<i>Bottom rope layer</i>	36 ft/min
<i>Top rope layer</i>	52 ft/min

Maximum oil pressure	3,000 psi
Maximum oil flow	20 GPM

Rope drum diameter	9.2"
Rope diameter	3/4"
Rope MBL (EN 14492-1)	≥ 70,000 lbs
Number of rope layers	4

Rope length	164 ft
Rope weight	209 lbs
Winch weight	517 lbs

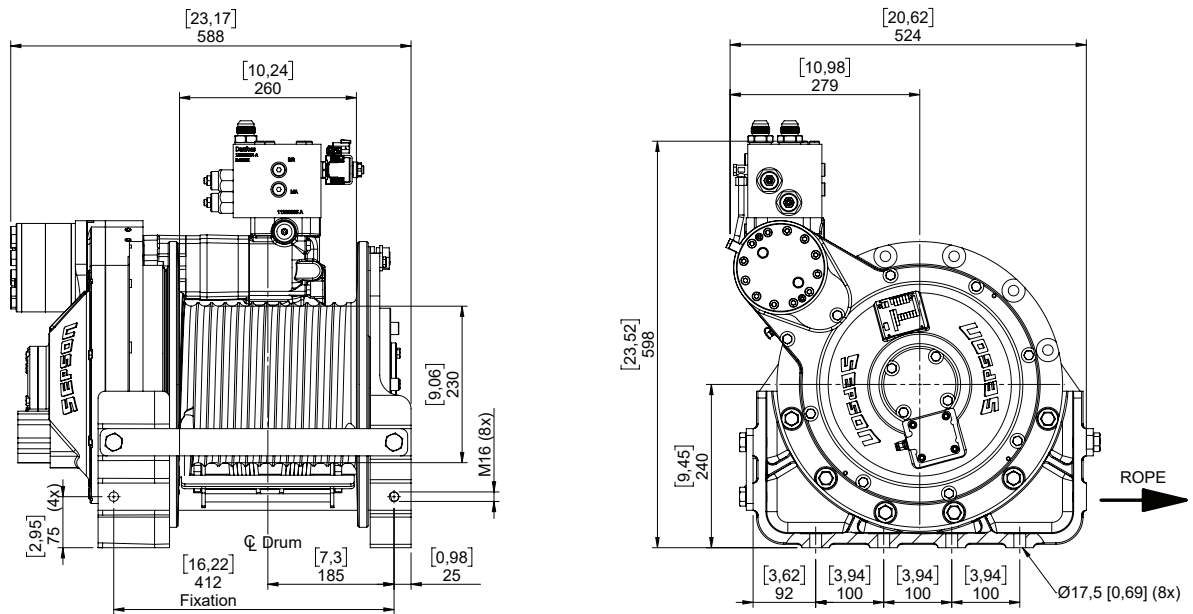
Model Variations	#6331-122 H35K	#6331-162 H35K
Under wound		X
Over wound	X	

**MILITARY GRADE
WINCHES FOR YOUR
TOW EQUIPMENT**

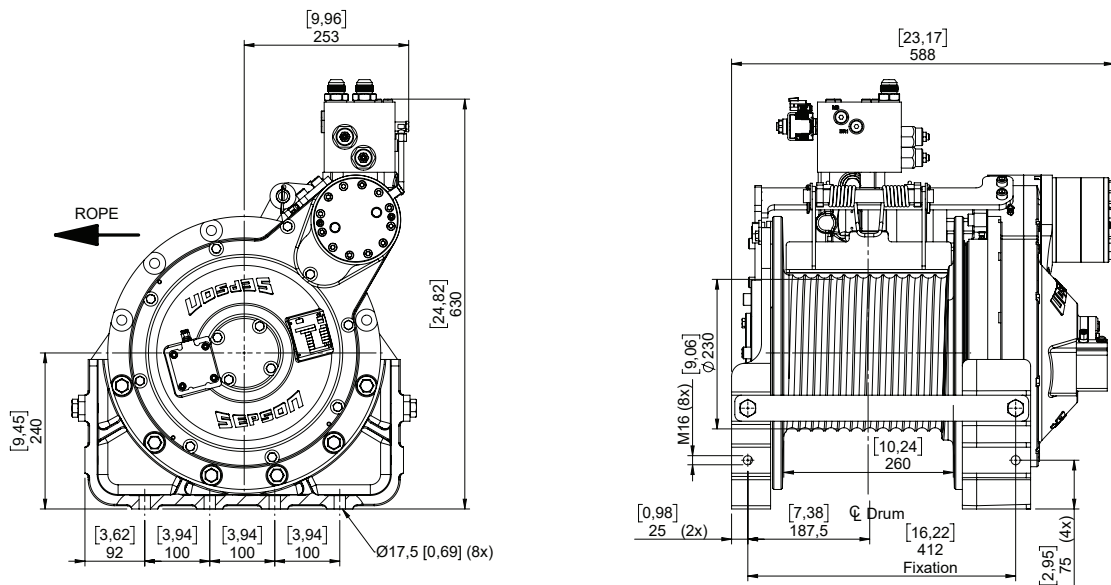
Reliable, dependable, uncomplicated, and safer.

412.444.5409

UNDER WOUND MODEL



OVER WOUND MODEL



Compliant to EN 14492-1

**MILITARY GRADE
WINCHES FOR YOUR
TOW EQUIPMENT**

Reliable, dependable, uncomplicated, and safer.

412.444.5409

www.sepson-usa.com

facebook.com/sepsonusa

[@sepson_usa](https://instagram.com/sepson_usa)