



SEPDURANCE H20K



Available in

Multiple Drum Widths

TECHNICAL DATA

See reverse for
Technical Drawings

Common Specifications

Max. pulling force	
<i>Bottom rope layer</i>	20,000 lbs
<i>Top rope layer</i>	12,600 lbs

Max. rope speed	
<i>Bottom rope layer</i>	20 ft/min
<i>Top rope layer</i>	32 ft/min

Max. oil pressure	2,175 psi
Max. oil flow	16 GPM

Rope drum diameter	5"
Rope diameter	$\frac{9}{16}$ "
Rope MBL (EN 14492-1)	≥ 40,000 lbs
Number of rope layers	4

Model Variations	Freespool clutch	#7308-013 H20K STD DRUM PNEUMATIC	#7308-014 H20K EXT DRUM PNEUMATIC	#7308-017 H20K STD DRUM MANUAL	#7308-018 H20K EXT DRUM MANUAL
		100 ft	130 ft	100 ft	130 ft
		55 lbs	77 lbs	55 lbs	77 lbs
		177 lbs	185 lbs	177 lbs	185 lbs

**MILITARY GRADE
WINCHES FOR YOUR
TOW EQUIPMENT**

Reliable, dependable, uncomplicated, and safer.

412.444.5409

www.sepson-usa.com

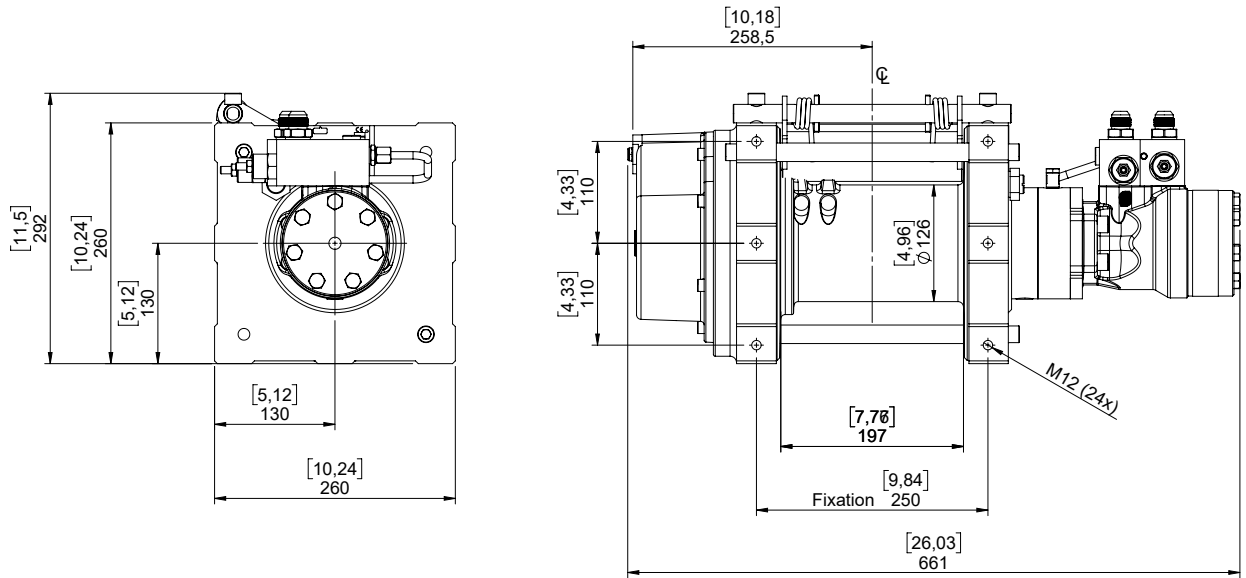


facebook.com/sepsonusa

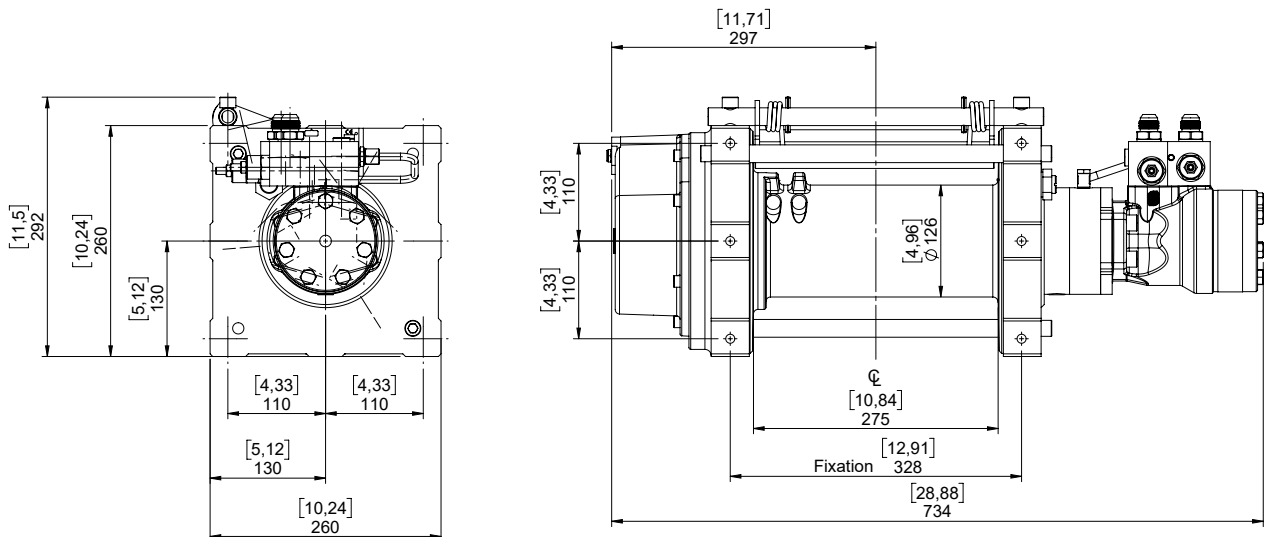


[@sepson_usa](https://instagram.com/sepson_usa)

STANDARD DRUM MODEL



EXTENDED DRUM MODEL



Compliant to EN 14492-1
and SAE J706


**MILITARY GRADE
WINCHES FOR YOUR
TOW EQUIPMENT**

Reliable, dependable, uncomplicated, and safer.

412.444.5409

www.sepson-usa.com

 facebook.com/sepsonusa

 [@sepson_usa](https://instagram.com/sepson_usa)