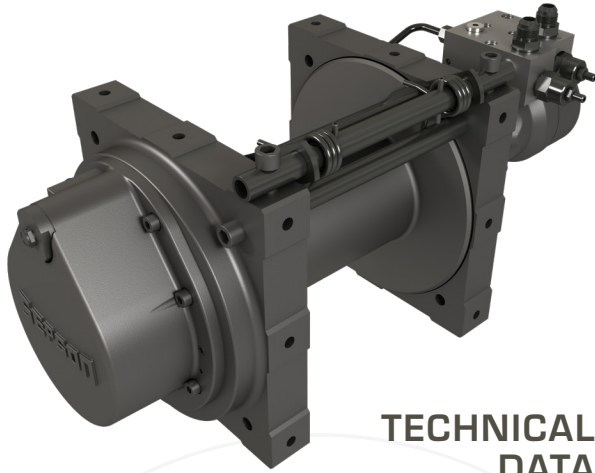




SEPDURANCE H18K



Available in

Multiple Drum Widths

TECHNICAL DATA

See reverse for
Technical Drawings

Common Specifications

Max. pulling force	
<i>Bottom rope layer</i>	18,000 lbs
<i>Top rope layer</i>	11,400 lbs

Max. rope speed	
<i>Bottom rope layer</i>	23 ft/min
<i>Top rope layer</i>	36 ft/min

Maximum oil pressure	2,900 psi
Maximum oil flow	16 GPM

Rope drum diameter	5"
Rope diameter	$\frac{9}{16}$ "
Rope MBL (EN 14492-1)	≥ 36,000 lbs
Number of rope layers	4

Model Variations	Freespool clutch	#7308-015 H18K STD DRUM PNEUMATIC	#7308-016 H18K EXT DRUM PNEUMATIC	#7308-019 H18K STD DRUM MANUAL	#7308-020 H18K EXT DRUM MANUAL
		100 ft	130 ft	100 ft	130 ft
		55 lbs	77 lbs	55 lbs	77 lbs
		177 lbs	185 lbs	177 lbs	185 lbs

**MILITARY GRADE
WINCHES FOR YOUR
TOW EQUIPMENT**

Reliable, dependable, uncomplicated, and safer.

412.444.5409

www.sepson-usa.com

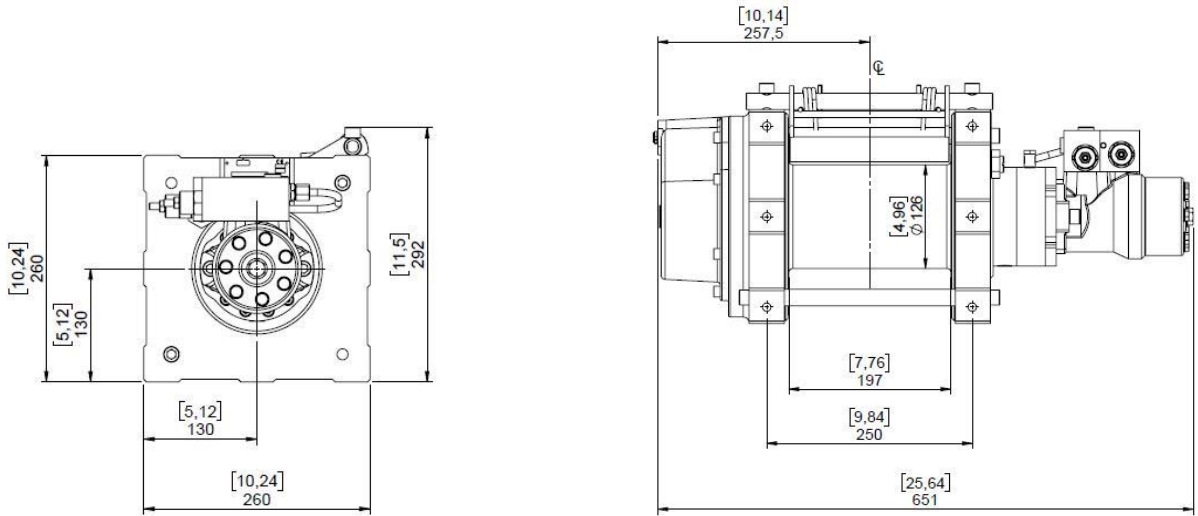


facebook.com/sepsonusa

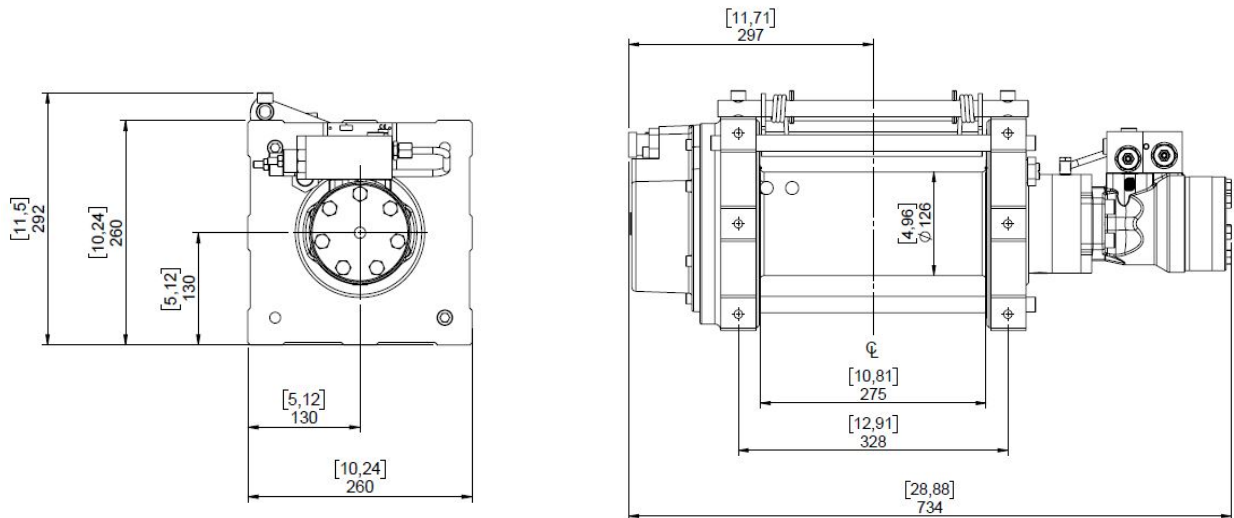


[@sepson_usa](https://instagram.com/sepson_usa)

STANDARD DRUM MODEL



EXTENDED DRUM MODEL



Compliant to EN 14492-1
and SAE J706

**MILITARY GRADE
WINCHES FOR YOUR
TOW EQUIPMENT**

Reliable, dependable, uncomplicated, and safer.

412.444.5409

www.sepson-usa.com

 facebook.com/sepsonusa

 [@sepson_usa](https://instagram.com/sepson_usa)