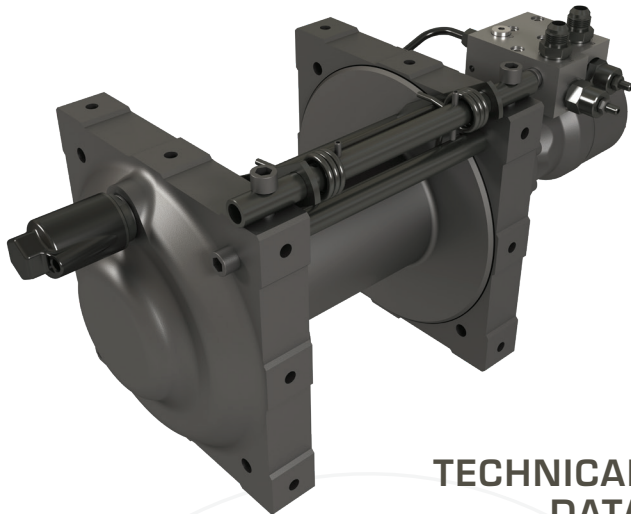




SEPDURANCE H12K



Featuring

True Free Spooling Drums

TECHNICAL DATA

See reverse for
Technical Drawings

Common Specifications

Max. pulling force
Bottom rope layer 12,000 lbs
Top rope layer 7,500 lbs

Max. rope speed
Bottom rope layer 30 ft/min
Top rope layer 50 ft/min

Maximum oil pressure 2,550 psi
 Maximum oil flow 16 GPM

Rope drum diameter 5"
 Rope diameter 1/2"
 Rope MBL (EN 14492-1) ≥ 24,000 lbs
 Number of rope layers 4

Model Variations

Freespool clutch

#7307-112-P H12K STD DRUM PNEUMATIC	#7307-112-M H12K STD DRUM MANUAL	#7307-113-P H12K EXT DRUM PNEUMATIC	#7307-113-M H12K EXT DRUM MANUAL
--	---	--	---

Rope length	100 ft	100 ft	130 ft	130 ft
Rope weight	55 lbs	55 lbs	77 lbs	77 lbs
Winch weight	162 lbs	162 lbs	172 lbs	172 lbs

**MILITARY GRADE
WINCHES FOR YOUR
TOW EQUIPMENT**

Reliable, dependable, uncomplicated, and safer.

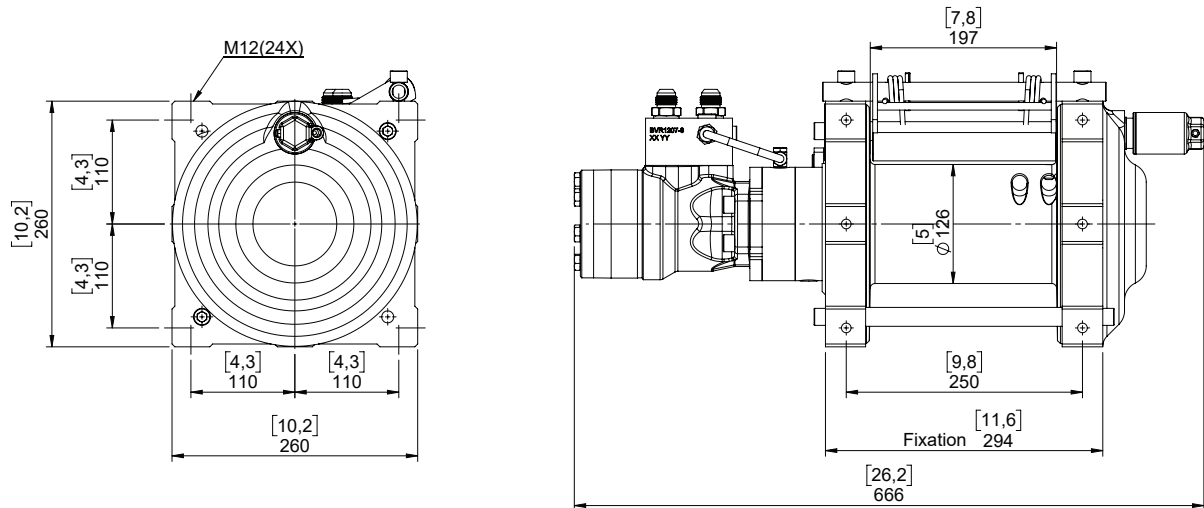
412.444.5409

www.sepson-usa.com

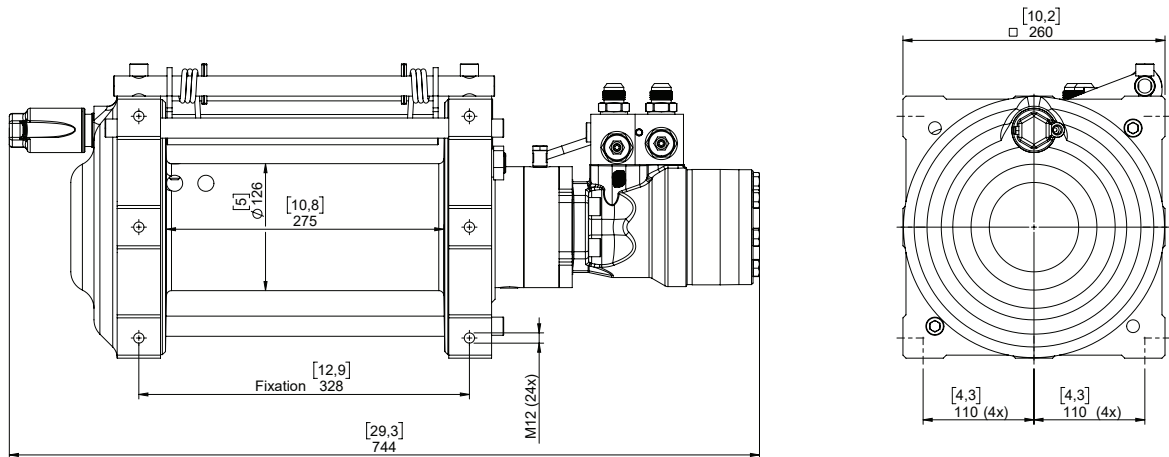
facebook.com/sepsonusa

[@sepson_usa](https://instagram.com/sepson_usa)

STANDARD DRUM MODEL



EXTENDED DRUM MODEL



Compliant to EN 14492-1
and SAE J706

**MILITARY GRADE
WINCHES FOR YOUR
TOW EQUIPMENT**

Reliable, dependable, uncomplicated, and safer.

412.444.5409

www.sepson-usa.com

[facebook.com/sepsonusa](https://www.facebook.com/sepsonusa)

[@sepson_usa](https://www.instagram.com/sepson_usa)